

# Installation Instruction

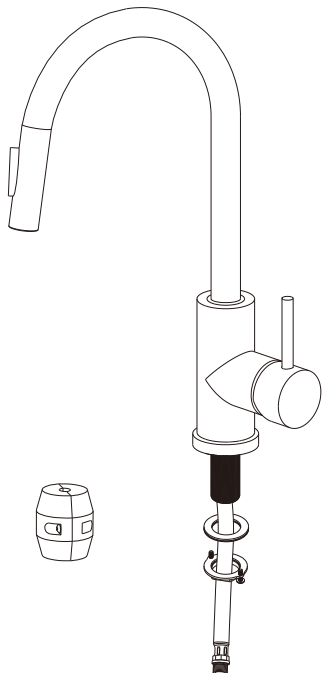
Single Handle Pull-down Kitchen Faucet

## KPS3033C



### Before Your Installation

Check to make sure you have the following parts indicated below:



### Tools You Will Need



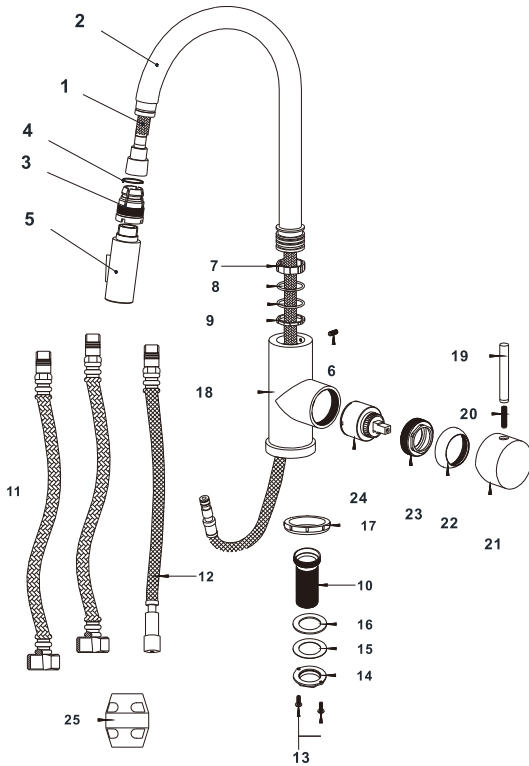
Adjustable wrench



Phillips screwdriver

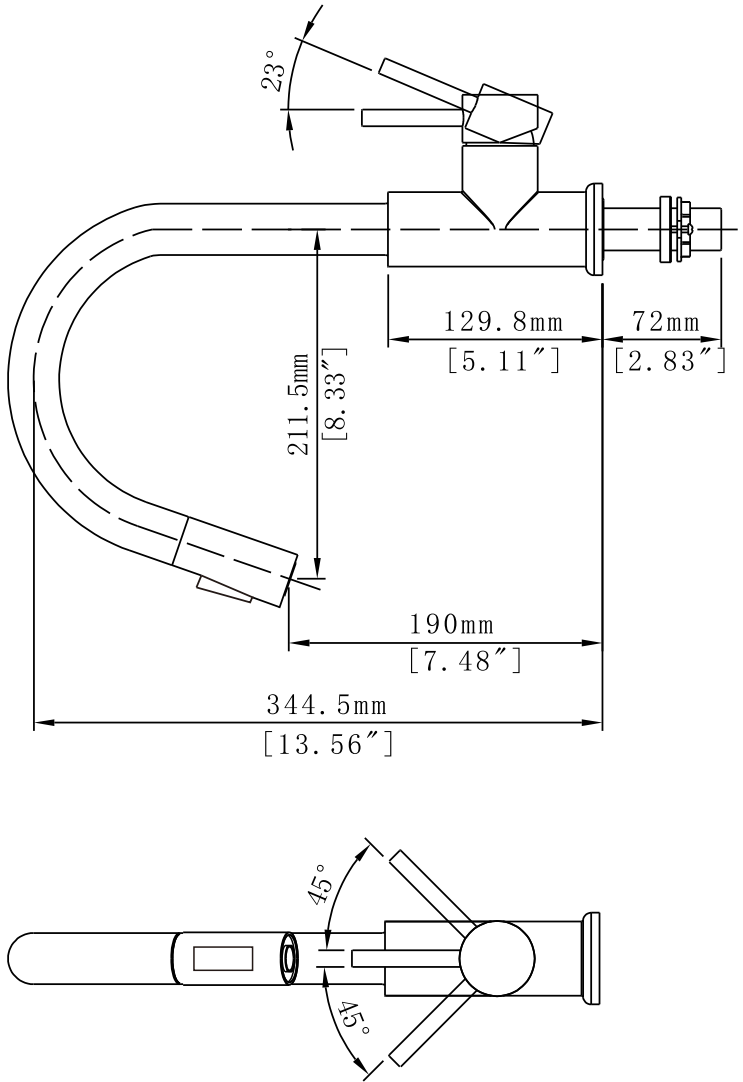
# Replacement Parts

Keep this manual for ordering replacement parts.



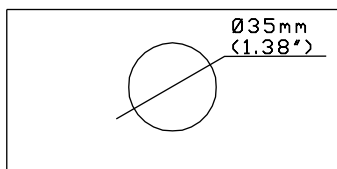
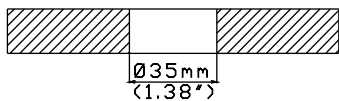
- 1 Hose
- 2 Spout
- 3 Plastic cover
- 4 O-ring
- 5 Sprayer
- 6 Set screw
- 7 Sleeve
- 8 O-rings
- 9 Sleeve
- 10 Extension pipe
- 11 Hot & cold water lines
- 12 Quick-connection hose
- 13 Screws
- 14 Locking nut
- 15 Metal washer
- 16 Rubber washer
- 17 Rubber washer
- 18 Faucet body
- 19 Handle lever
- 20 Set screw
- 21 Handle body
- 22 Cartridge cover
- 23 Locking nut
- 24 Cartridge
- 25 Weight

# Product Dimension Drawing

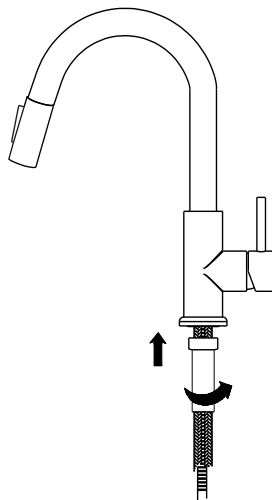


# Faucet Installation Procedures

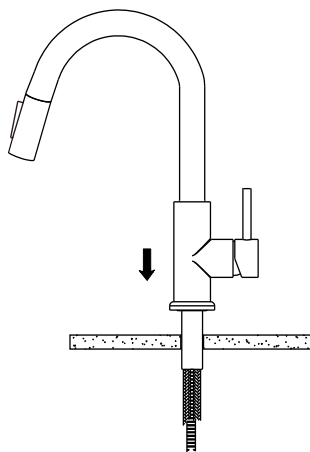
Step ①



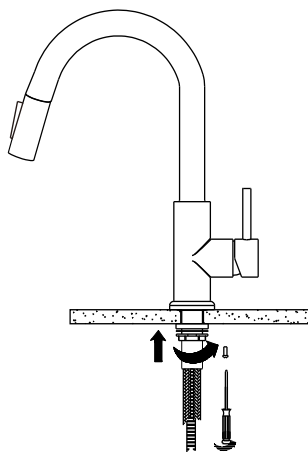
Step ②



Step ③



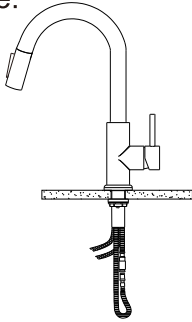
Step ④



### Step ⑤

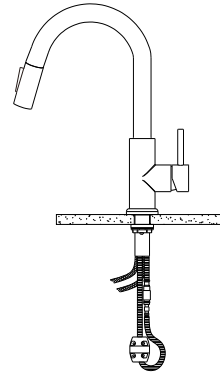
Connect spray hose to quick-connection hose until you hear “click”.

The tip of the quick connection should spring back to original position. Test by pulling both ends to make sure they do not separate.



### Step ⑥

Install the weight (part #25) just above the lowest point of the hose (part #1) on the side that connects to the spray head. Tighten screws on the weight with a Phillips screwdriver.



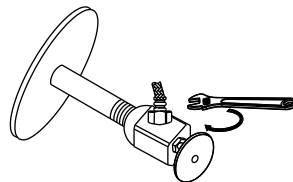
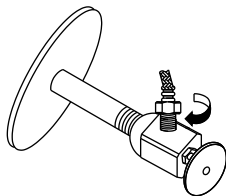
### Step ⑦

## **IMPORTANT!**

Run water out of Hot and Cold angle valves to flush debris **BEFORE** connecting the water supply lines.

Place a bucket under the valve. When valve is turned on water will shoot up. Cup over the valve opening so water will fall into the bucket.

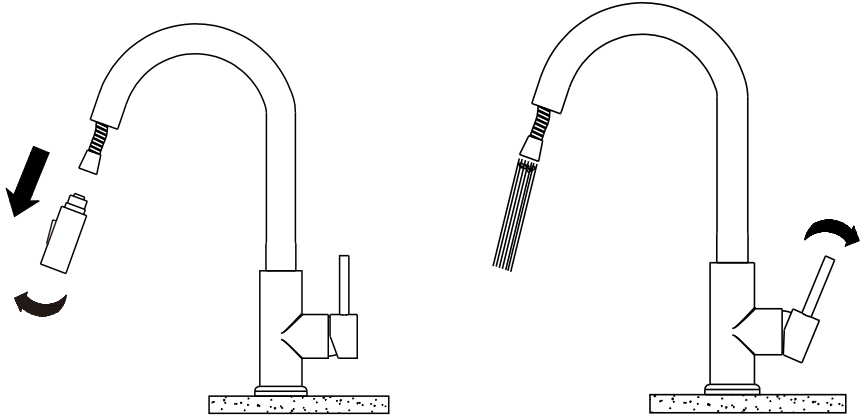
Connect Hot & Cold water lines to angle valves. Tighten securely, but do not overtighten.



Step ⑧

# IMPORTANT!

Remove the spray head and perform a final flush by turning on the faucet.



Step ⑨

