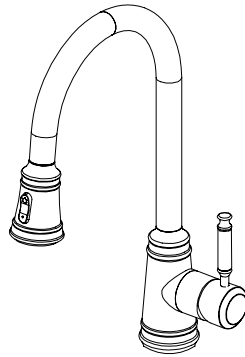
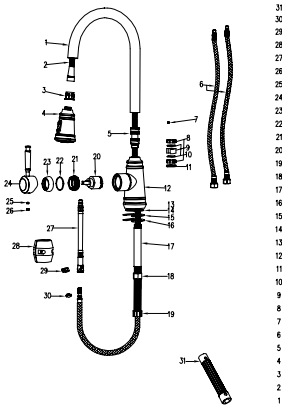


Stainless steel pull out faucet installation manual

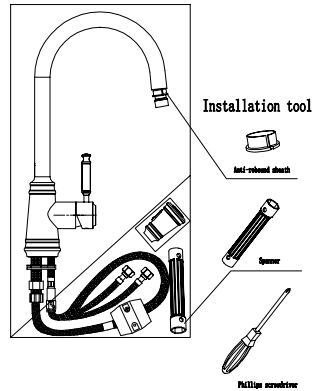


Pull out faucet exploded drawing

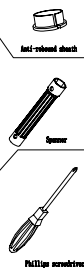


31
30
29
28
27
26
25
24
23
22
21
20
19
18
17
16
15
14
13
12
11
10
9
8
7
6
5
4
3
2
1

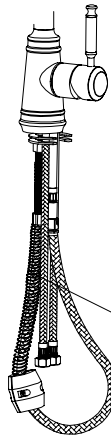
Packing layout



Installation tool:



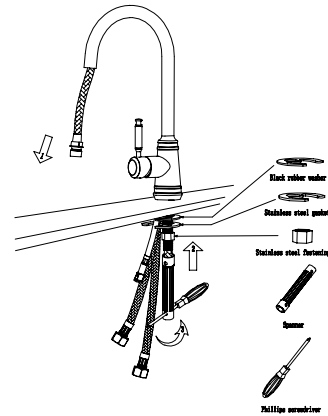
Part Drawing for Product Selection



Pull booster spring

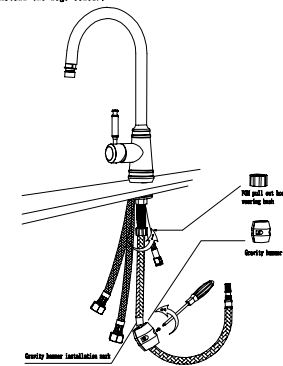
(Note: If your pull faucet is empty under the platform it can be selected if it is narrow or interferes with the drawing space. Choose to install this part to enhance sprinkler sprinkler automatic rebound. Performance. If your cabinet has enough space for drawing, it is not recommended to install this accessory.)

Step 4: Undercounter installation

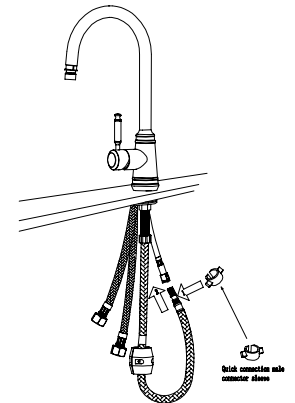


Step 5: Undercounter installation

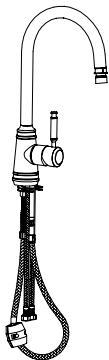
(Attention: When installing the gravity ball, please install the gravity ball in the drawing pipe. It is recommended to install the logo below.)



Step 6: Undercounter installation

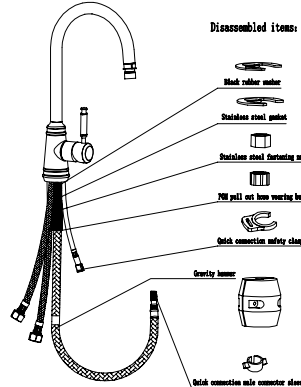


Step 1: Take out the product from the box

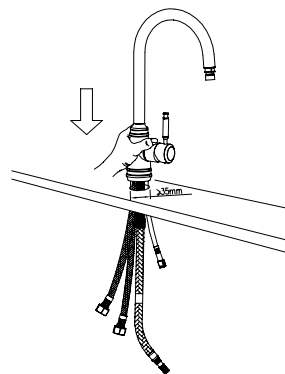


Step 2: Disassemble the parts

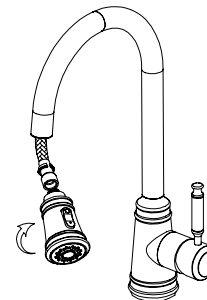
(Attention: please do not disassemble the Hot&Cold inlet hose and Mixed water inlet hose)



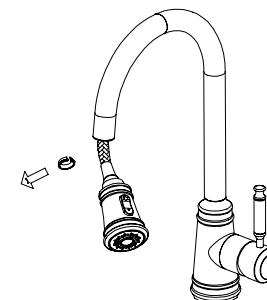
Step 3: Pull the faucet on the countertop



Step 10: Twist the spayer and hose tightly



Step 11: Remove the shower holder and keep it well



Step 12: Finished

