

Installation Instruction

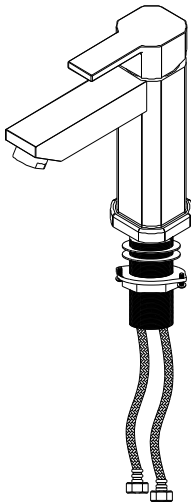
Single Handle Kitchen Faucet

MA100



Before Your Installation

Check to make sure you have the following parts indicated below:



Tools You Will Need



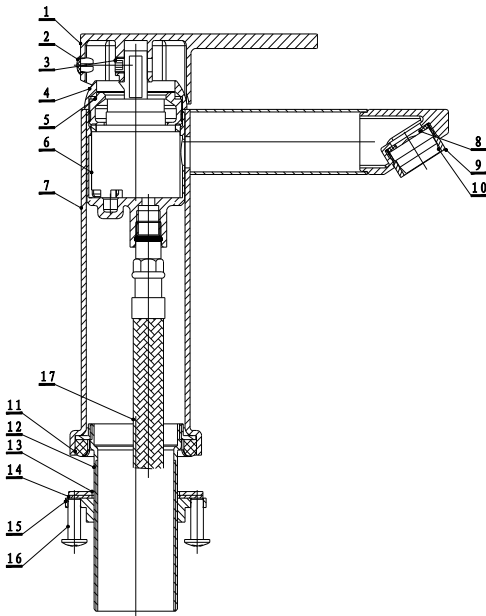
Adjustable wrench



Phillips screwdriver

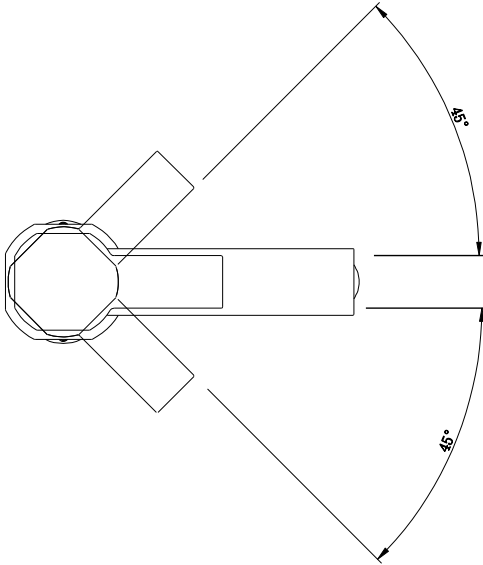
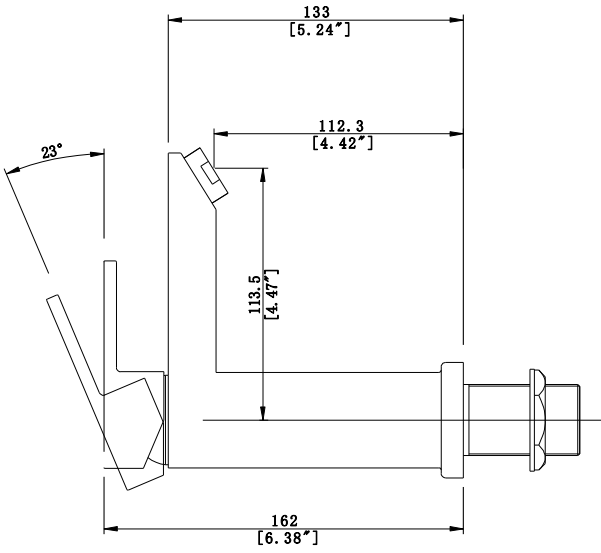
Replacement Parts

Keep this manual for ordering replacement parts.

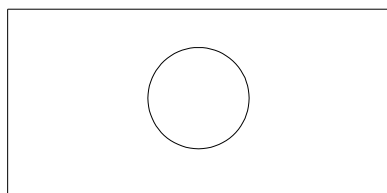
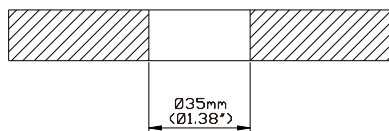


NO	NAME
1.	Knob
2.	Decorative twist
3.	Screw
4.	Cartridge holder
5.	Lock nut
6.	Cartridge
7.	Faucet body
8.	Flat washer
9.	Water nozzle
10.	Aerator
11.	U glue
12.	Threaded pipe
13.	Rubber gasket
14.	Stainless steel gasket
15.	Lock nut
16.	Lock screw
17.	Hose

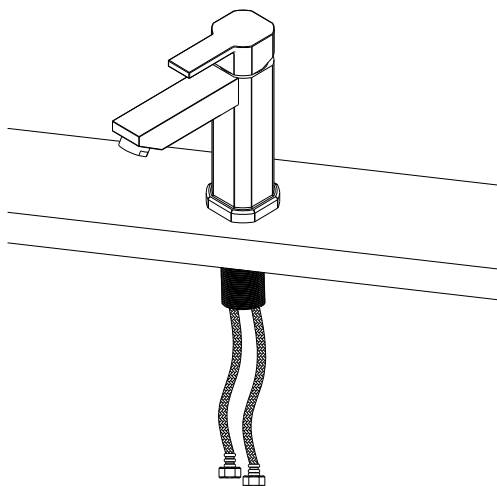
Product Dimension Drawing



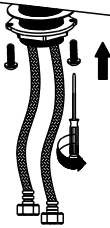
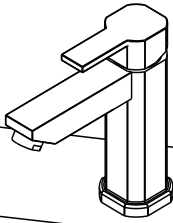
Faucet Installation Procedures



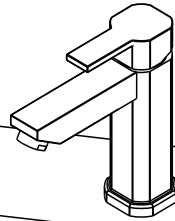
step ①



step ②



step ③



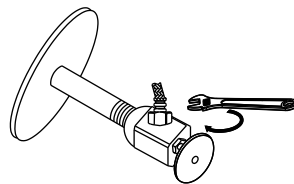
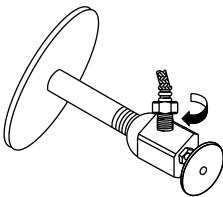
step ④

IMPORTANT!

Run water out of Hot and Cold angle valves to flush debris **BEFORE** connecting the water supply lines.

Place a bucket under the valve. When valve is turned on water will shoot up. Cup over the valve opening so water will fall into the bucket.

Connect Hot & Cold water lines to angle valves. Tighten securely, but do not overtighten.



step ⑤

