

Installation Instruction

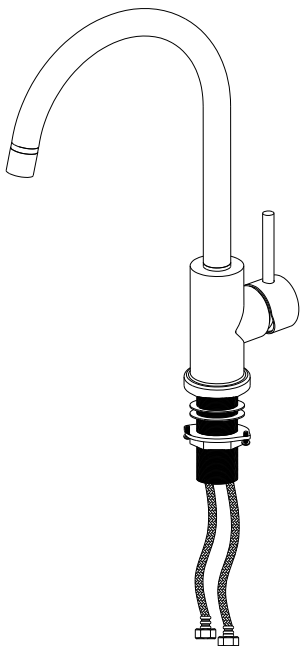
Single Handle Kitchen Faucet

KS2936/M003



Before Your Installation

Check to make sure you have the following parts indicated below:



Tools You Will Need



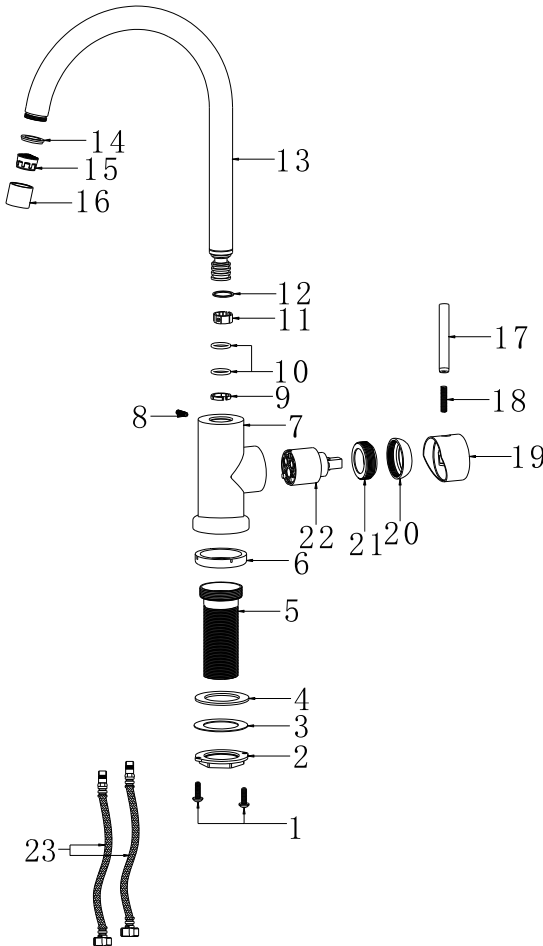
Adjustable wrench



Phillips screwdriver

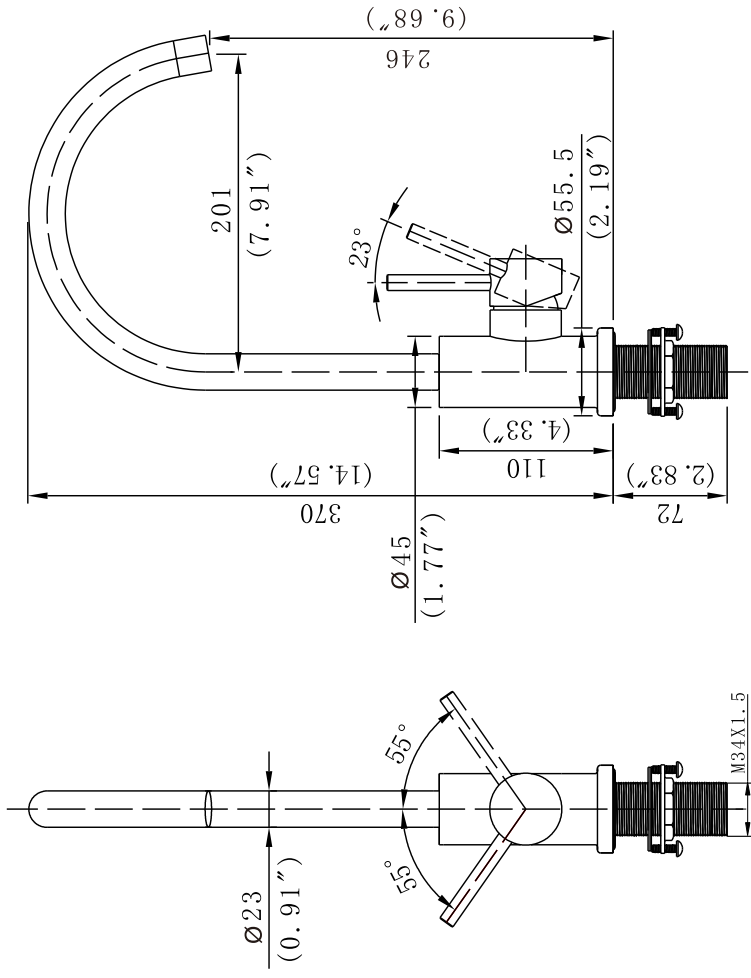
Replacement Parts

Keep this manual for ordering replacement parts.

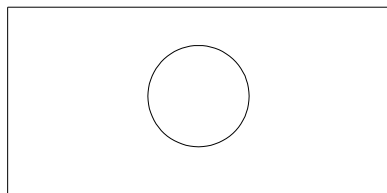
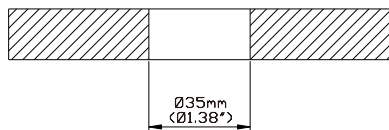


NO	NAME
1.	M5 round head screws
2.	Lock nut
3.	Stainless steel gasket
4.	Rubber gasket
5.	Threaded pipe
6.	Bottom gasket
7.	Faucet body
8.	M6 screw
9.	Plastic lock ring
10.	O-ring
11.	Plastic lock ring
12.	Rub ring
13.	Curved arm
14.	Gasket
15.	Aerator
16.	Aerator holder
17.	Handle bar
18.	M6 screw
19.	Handle knob
20.	Cartridge cover
21.	Locking nut
22.	Cartridge
23.	Hose

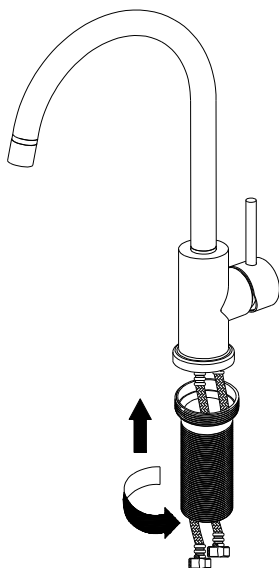
Product Dimension Drawing



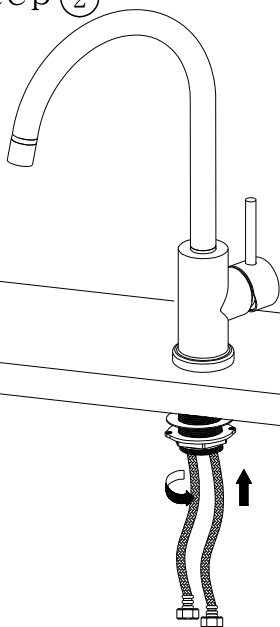
Faucet Installation Procedures



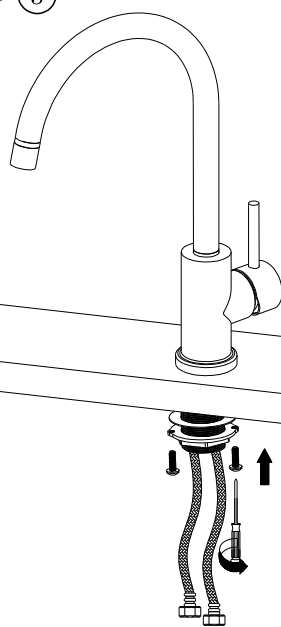
step ①



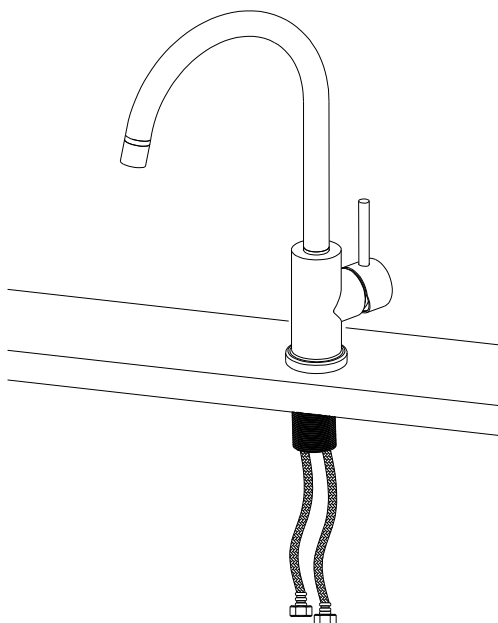
step ②



step ③



step ④



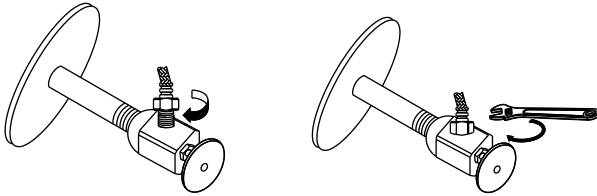
IMPORTANT!

step ⑤

Run water out of Hot and Cold angle valves to flush debris BEFORE connecting the water supply lines.

Place a bucket under the valve. When valve is turned on water will shoot up. Cup over the valve opening so water will fall into the bucket.

Connect Hot & Cold water lines to angle valves. Tighten securely, but do not overtighten.



step ⑥

