

Installation Instruction

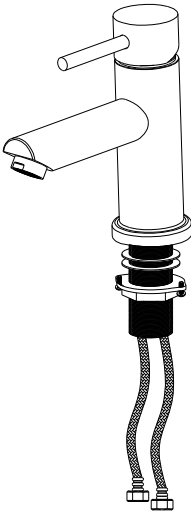
Single Handle Kitchen Faucet

LAV736



Before Your Installation

Check to make sure you have the following parts indicated below:



Tools You Will Need



Adjustable wrench



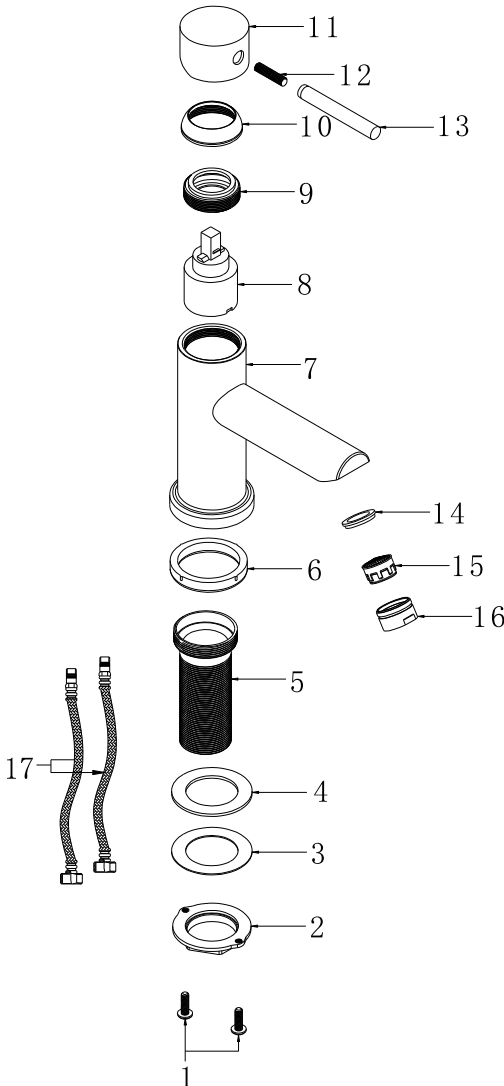
Phillips screwdriver



Spanner for aerator
(supplied)

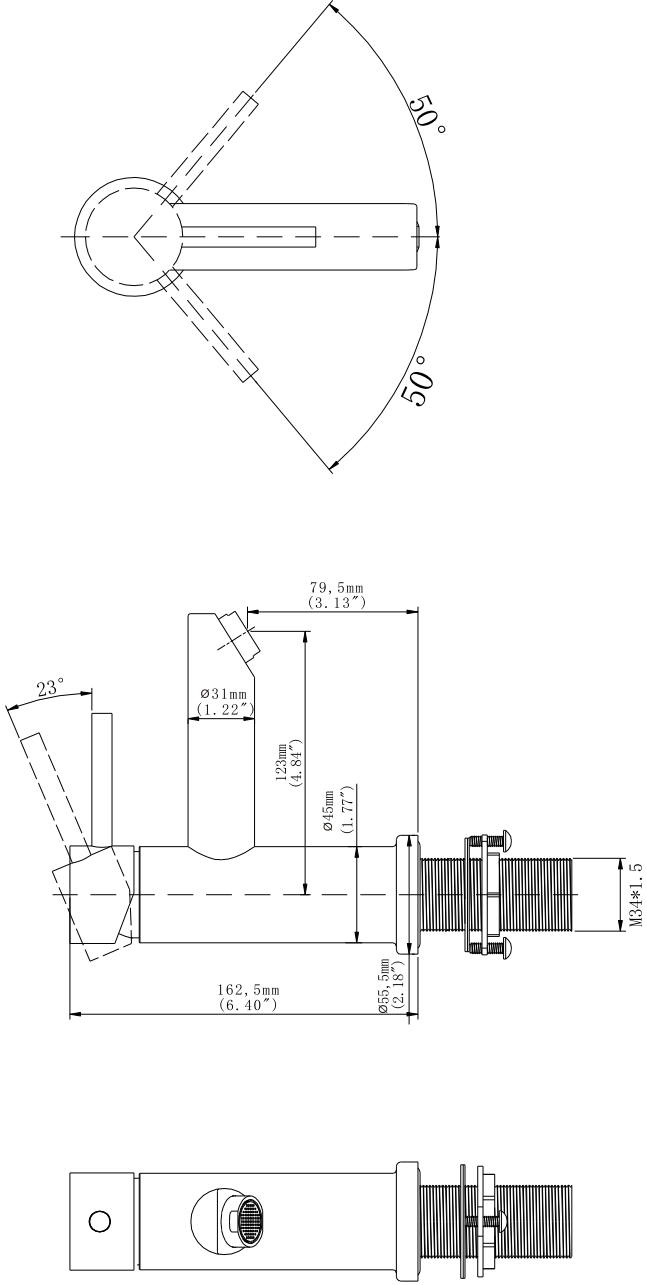
Replacement Parts

Keep this manual for ordering replacement parts.

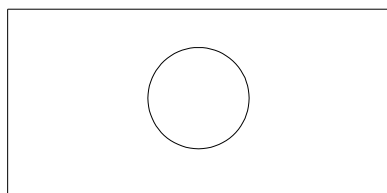
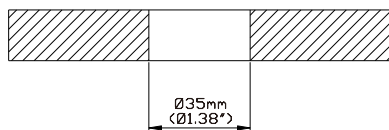


NO	NAME
1.	M5 round head screws
2.	Lock nut
3.	Stainless steel gasket
4.	Rubber gasket
5.	Threaded pipe
6.	Bottom gasket
7.	Faucet body
8.	Cartridge
9.	Locking nut
10.	Cartridge cover
11.	Handle knob
12.	M6 screw
13.	Handle bar
14.	Gasket
15.	Aerator
16.	Aerator holder
17.	Hose

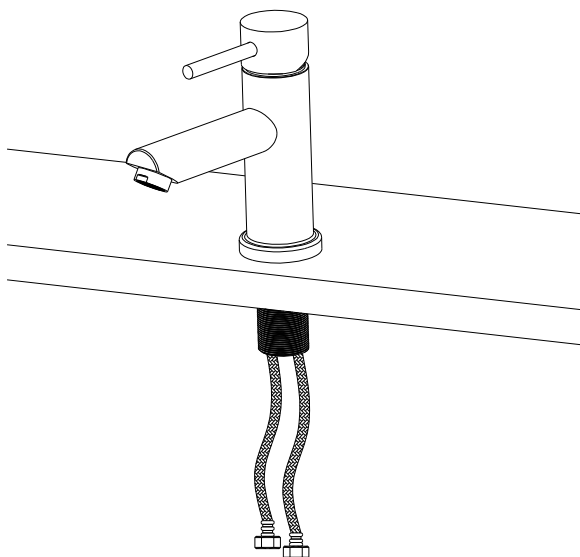
Product Dimension Drawing



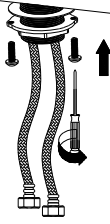
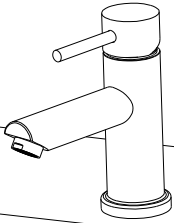
Faucet Installation Procedures



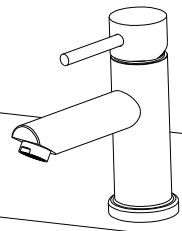
step ①



step ②



step ③



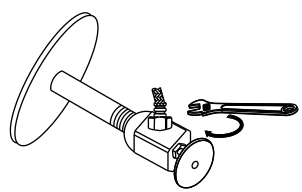
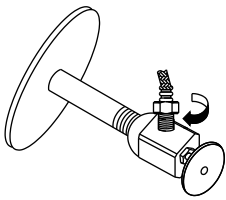
step ④

IMPORTANT!

Run water out of Hot and Cold angle valves to flush debris BEFORE connecting the water supply lines.

Place a bucket under the valve. When valve is turned on water will shoot up. Cup over the valve opening so water will fall into the bucket.

Connect Hot & Cold water lines to angle valves. Tighten securely, but do not overtighten.



step ⑤

