

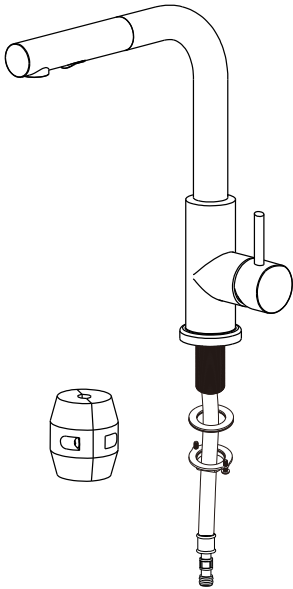
Installation Instruction

Single Handle Pull-down Kitchen Faucet

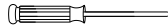
KPS3032C

Before Your Installation

Check to make sure you have the following parts indicated below:



Tools You Will Need



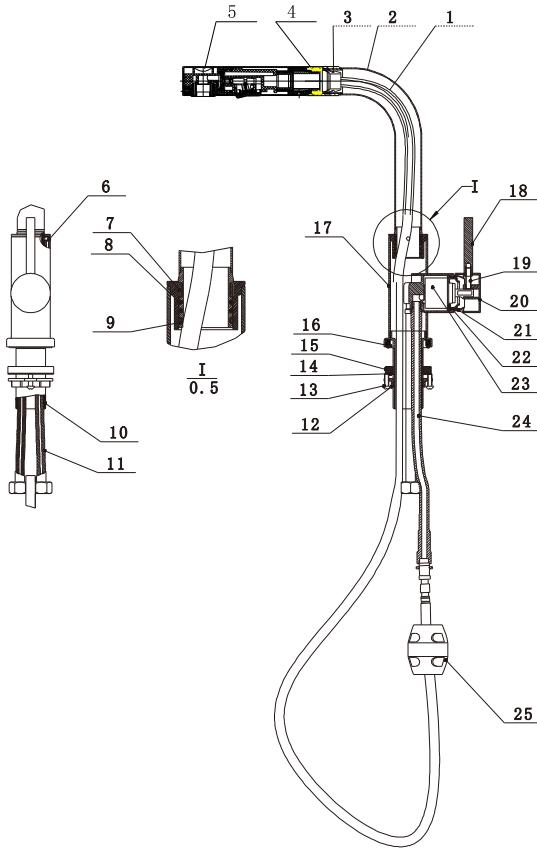
Phillips screwdriver



Adjustable wrench

Replacement Parts

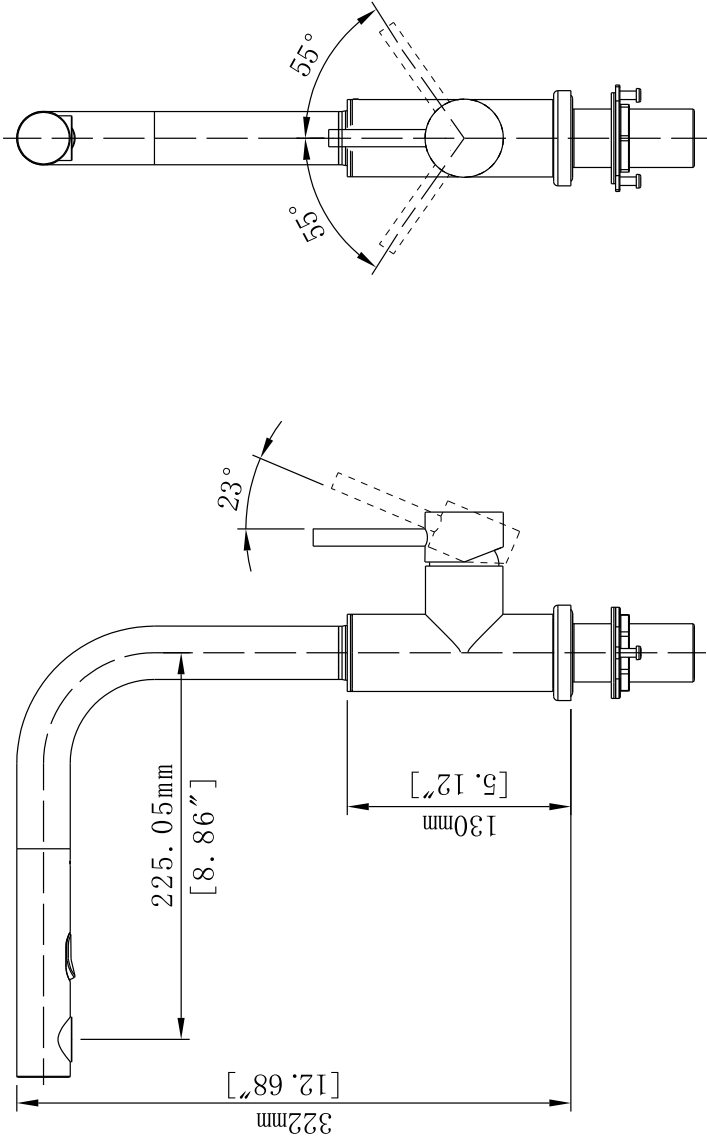
Keep this manual for ordering replacement parts.



NO NAME

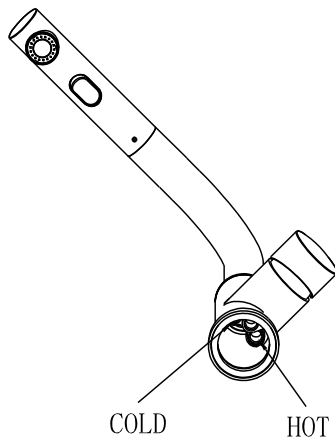
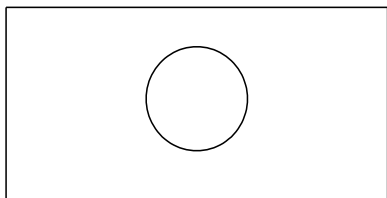
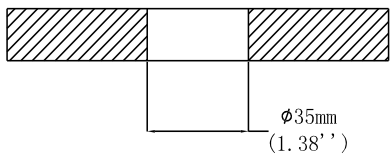
- | | |
|----|------------------------|
| 1 | Pull hose |
| 2 | Overall curved arm |
| 3 | Pouches |
| 4 | Coil |
| 5 | Withdrawing shower |
| 6 | Screws |
| 7 | Aprons |
| 8 | O-ring |
| 9 | Aprons |
| 10 | Threaded pipe |
| 11 | Hose |
| 12 | Fastening nut |
| 13 | Phillips head screws |
| 14 | Fastening pad |
| 15 | Stainless steel gasket |
| 16 | Rubber gasket |
| 17 | Faucet body |
| 18 | Handle knob |
| 19 | Screw |
| 20 | Handle body |
| 21 | Decorative cover |
| 22 | Cartridge holder |
| 23 | Cartridge |
| 24 | Fastening screw |
| 25 | Weight |

Product Dimension Drawing

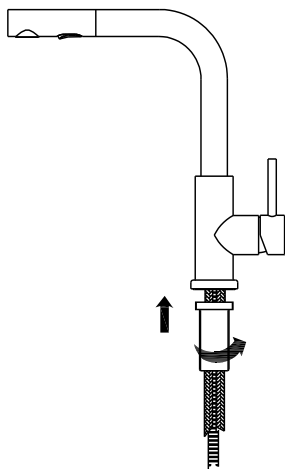


Faucet Installation Procedures

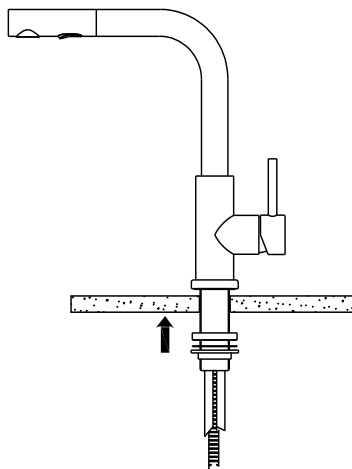
Step ①



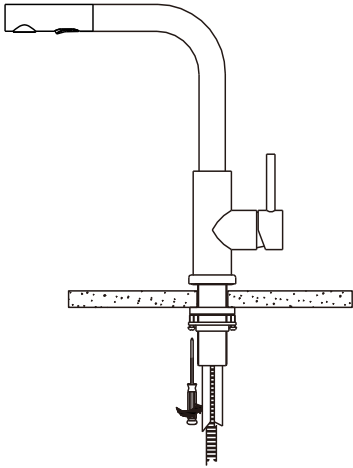
Step ②



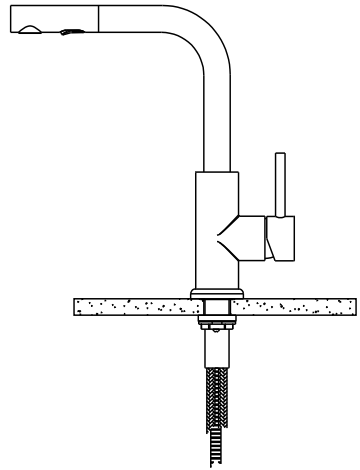
Step ③



Step ④



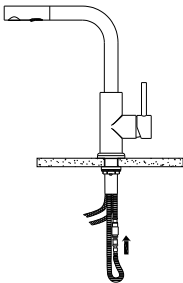
Step ⑤



Step ⑥

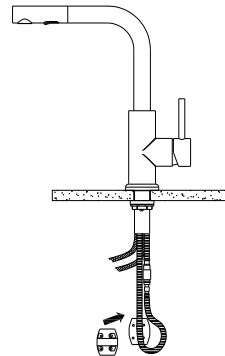
Connect spray hose to quick-connection hose until you hear “click”.

The tip of the quick connection should spring back to original position. Test by pulling both ends to make sure they do not separate.



Step ⑦

Install the weight (part #25) just above the lowest point of the hose (part #1) on the side that connects to the spray head. Tighten screws on the weight with a Phillips screwdriver.



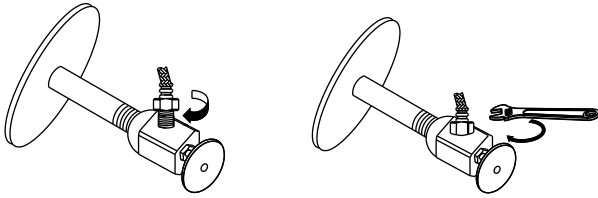
Step ⑧

IMPORTANT!

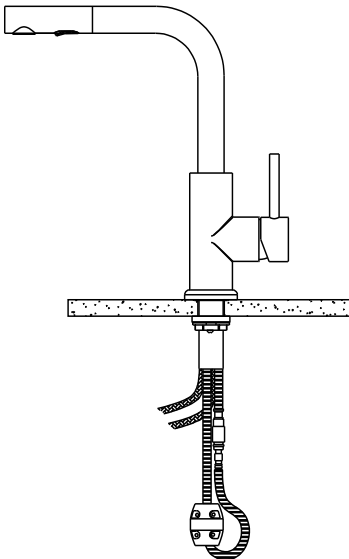
Run water out of Hot and Cold angle valves to flush debris BEFORE connecting the water supply lines.

Place a bucket under the valve. When valve is turned on water will shoot up. Cup over the valve opening so water will fall into the bucket.

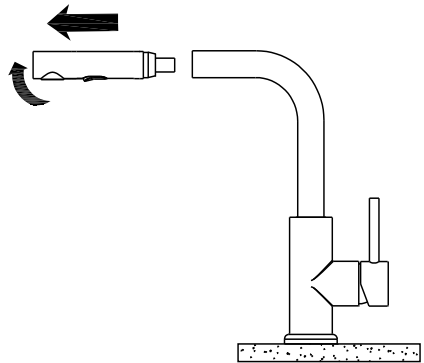
Connect Hot & Cold water lines to angle valves. Tighten securely, but do not overtighten.



Step ⑨



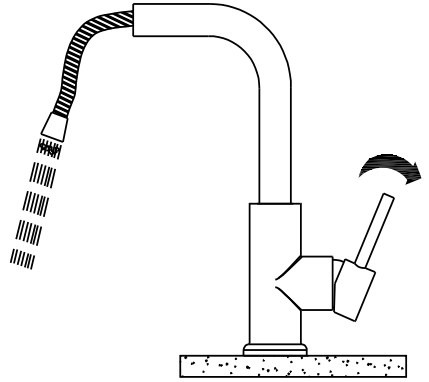
Step ⑩



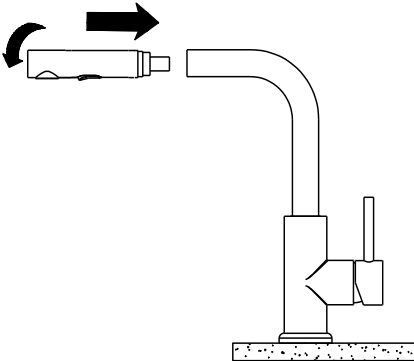
Step ⑪

IMPORTANT!

Remove the spray head and perform a final flush by turning on the faucet.



Step ⑫



Step ⑬

