

Installation Instruction

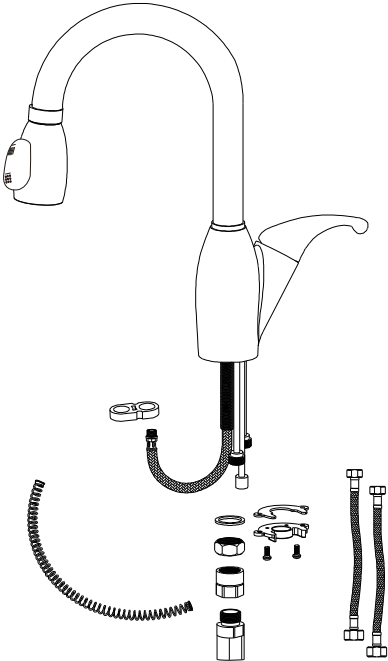
Single Handle Pull-down Kitchen Faucet

KPS3030M

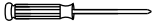


Before Your Installation

Check to make sure you have the following parts indicated below:



Tools You Will Need



Phillips screwdriver



Adjustable wrench



Spanner for body (supplied)



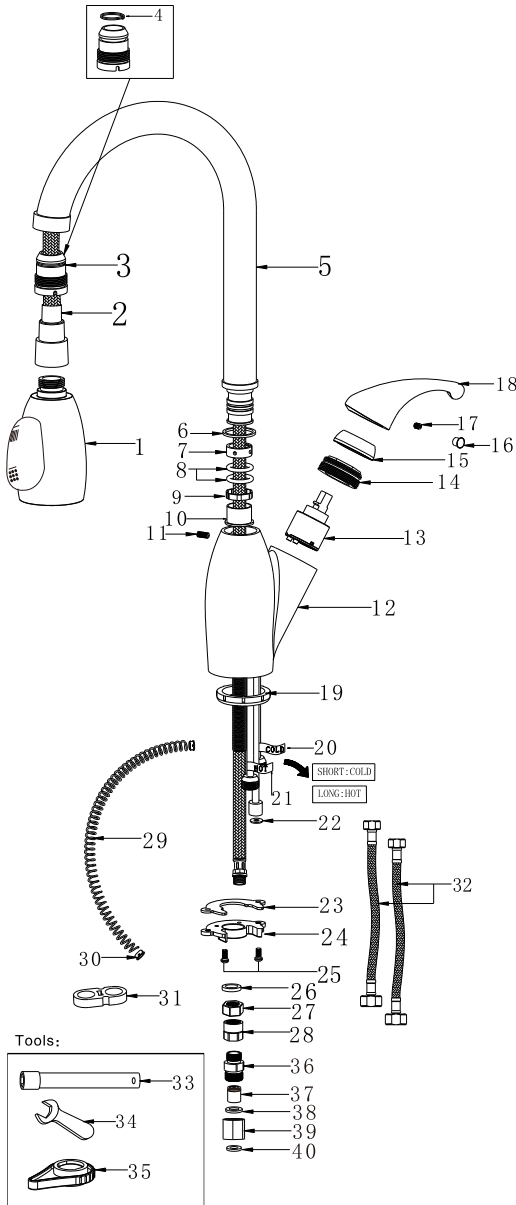
Spanner for aerator (supplied)



Small spanner (supplied)

Replacement Parts

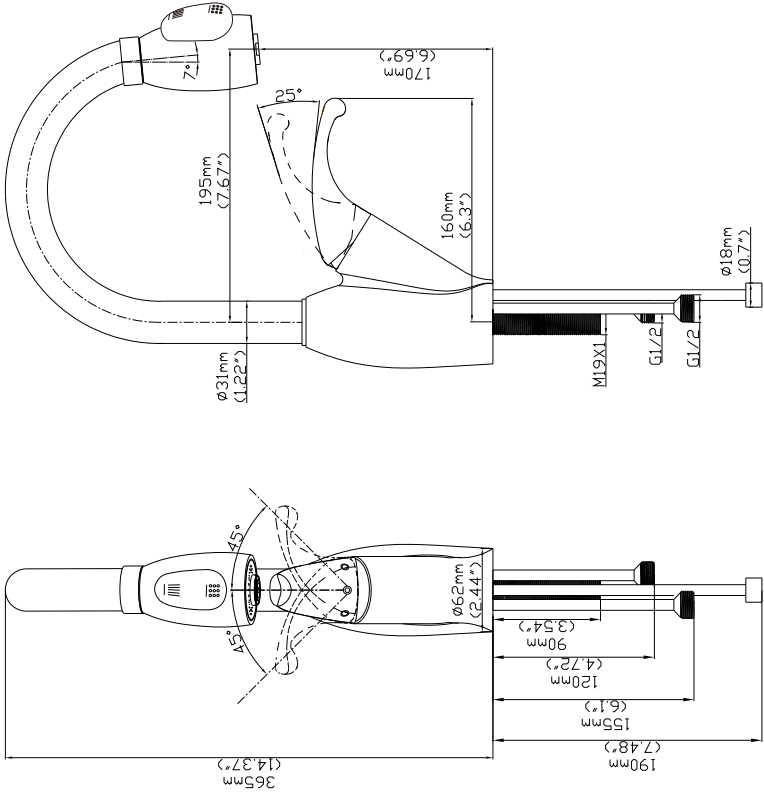
Keep this manual for ordering replacement parts.



NO NAME

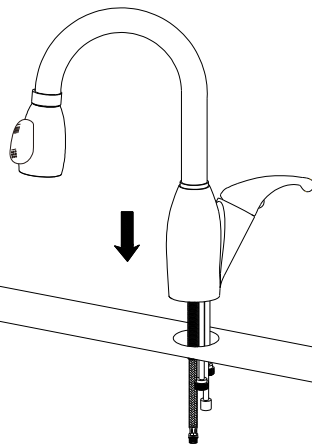
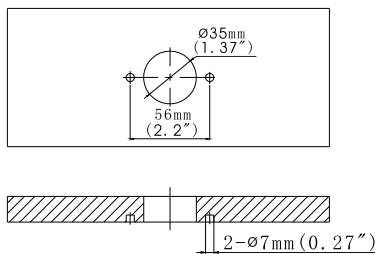
1. Sprayer
2. Black nylon hose
3. Locating sleeve
4. Steel ring
5. Spout
6. White ring
7. Sleeve
8. O-ring
9. Sleeve
10. Sleeve
11. M4 screw
12. Faucet body
13. Cartridge
14. Locking nut
15. Cartridge cover
16. Cover button
17. M6 screw
18. Handle
19. Bottom rubber
20. Cold water mark
21. Hot water mark
22. Flat gasket
23. Locking rubber
24. Locking gasket
25. Screw
26. Locking ring
27. Locking nut
28. M6 nut
29. Spring
30. Anti-friction sleeve
31. Plastic stop collar
32. Hose
33. Spanner for body
34. Small spanner
35. Spanner for aerator
36. Bushing(male thread)
37. Check valve
38. Gasket
39. Bushing(female thread)
40. Gasket

Product Dimension Drawing

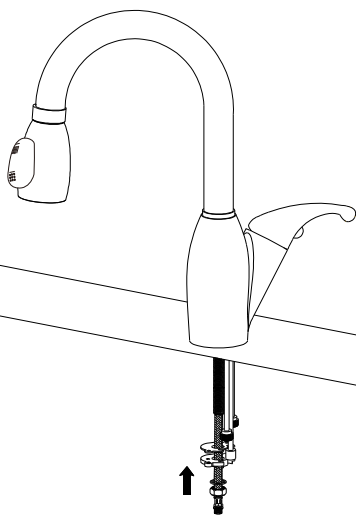


Faucet Installation Procedures

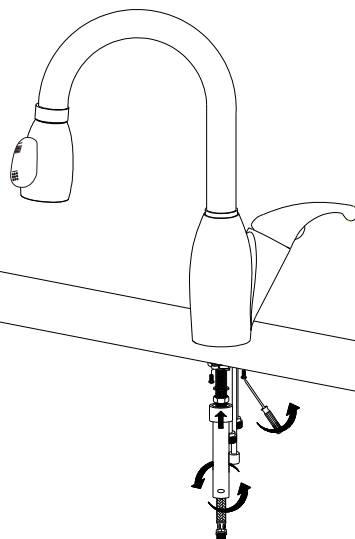
step ①



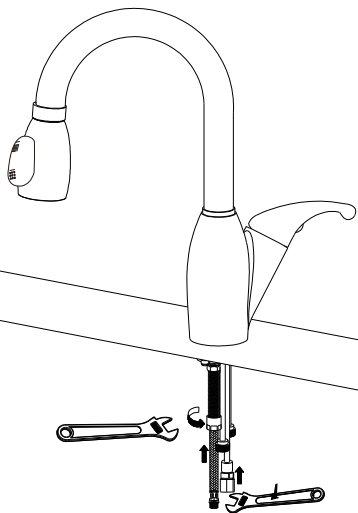
step ②



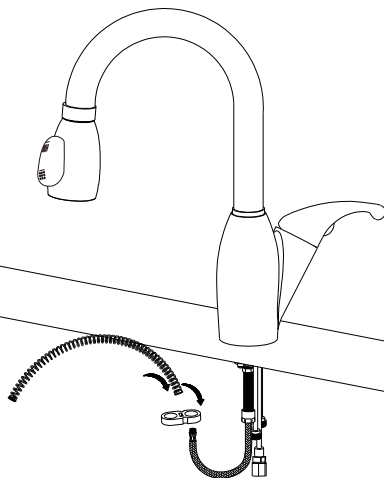
step ③



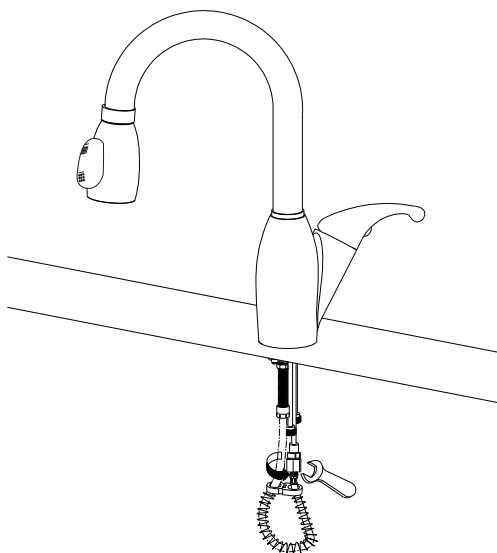
step ④



step ⑤



step ⑥

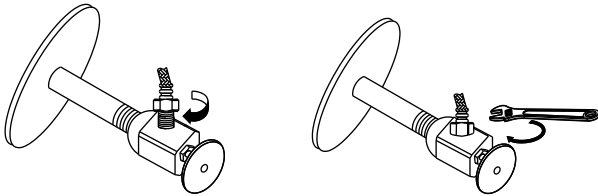


step ⑦

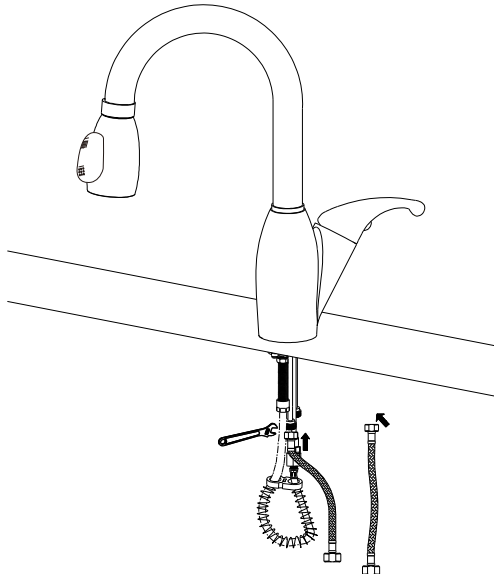
IMPORTANT!

Flush debris from the Hot and Cold angle valves by:

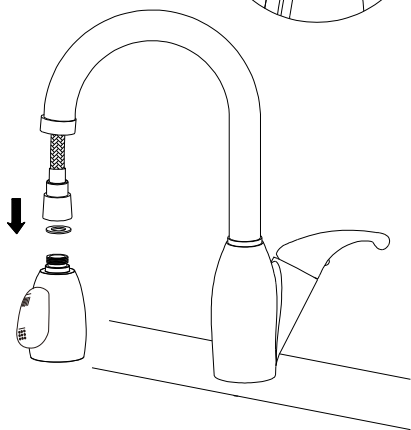
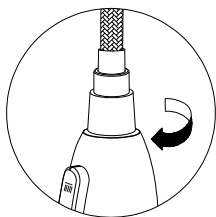
1. Connect water supply line to the angle valve.
2. Put the other end of the water supply line into a bucket and turn on water to flush.
3. Repeat step 2 with the other supply line.
4. Connect the Hot and Cold water lines to the faucet. Tighten securely, but do not overtighten.



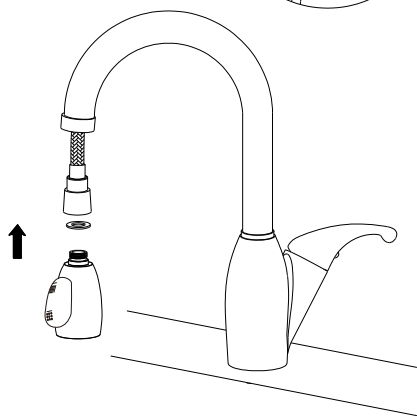
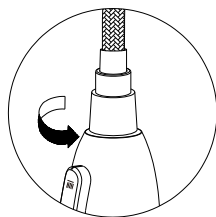
step ⑧



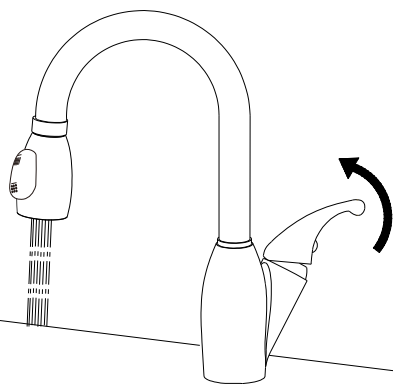
step⑨



step⑩



step⑪



step⑫

