

Installation Instruction

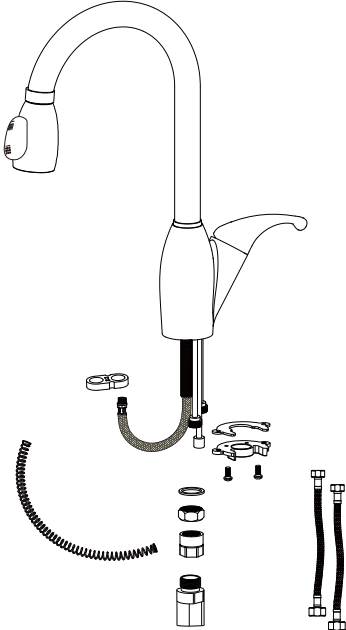
Single Handle Pull-down Kitchen Faucet

KPS3030

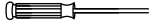


Before Your Installation

Check to make sure you have the following parts indicated below:



Tools You Will Need



Phillips screwdriver



Adjustable wrench



Spanner for body (supplied)



Spanner for aerator (supplied)



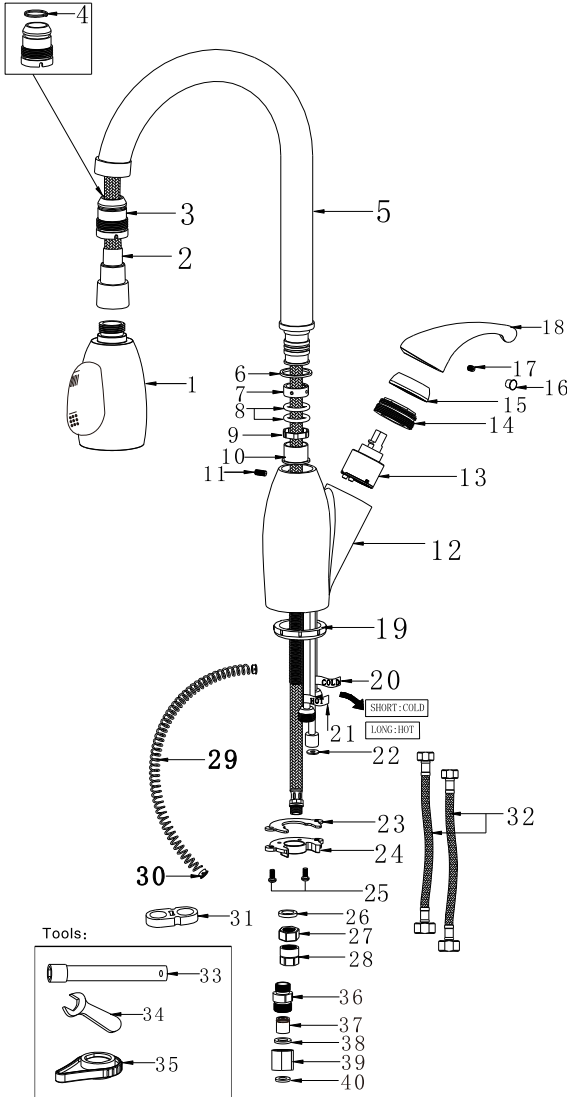
Small spanner (supplied)

Replacement Parts

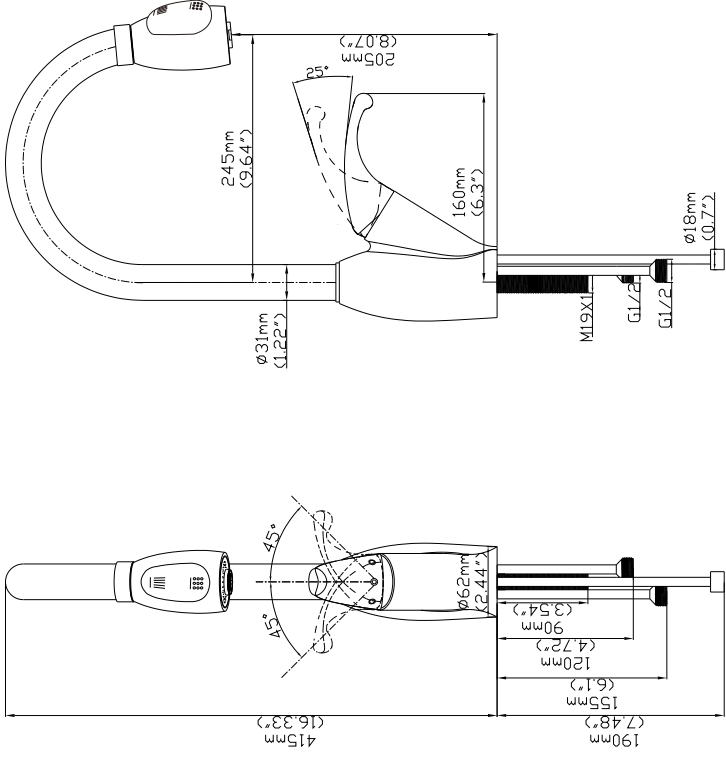
Keep this manual for ordering replacement parts.

NO NAME

1. Pull-out sprayer
2. Black nylon hose
3. Plastic sleeve
4. Spring ring
5. Spout
6. White ring
7. Sleeve
8. O-ring
9. Sleeve
10. Sleeve
11. M4 screw
12. Faucet body
13. Cartridge
14. Fastening nut
15. Cartridge cover
16. Cover button
17. M6 screw
18. Handle
19. Bottom rubber
20. Cold water mark
21. Hot water mark
22. Flat gasket
23. Fastening rubber
24. Fastening gasket
25. Screw
26. Fastening ring
27. Fastening nut
28. M6 nut
29. Spring
30. Anti-friction sleeve
31. Plastic stop collar
32. Hose
33. Spanner for body
34. Small spanner
35. Spanner for aerator
36. Bushing(male thread)
37. Check valve
38. Gasket
39. Bushing(female thread)
40. Gasket

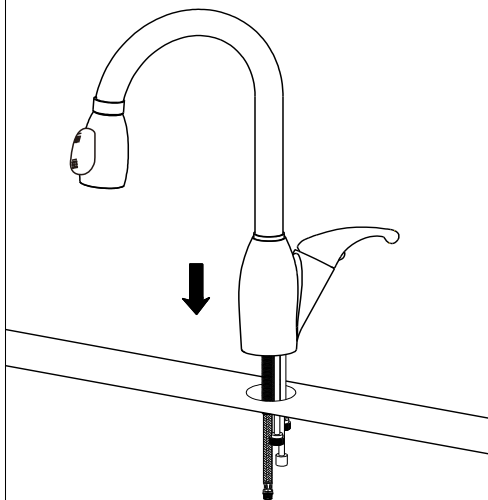
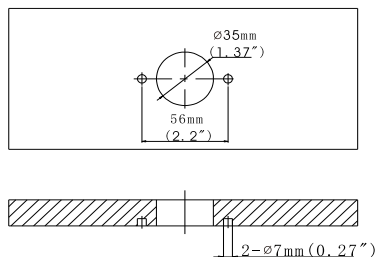


Product Dimension Drawing

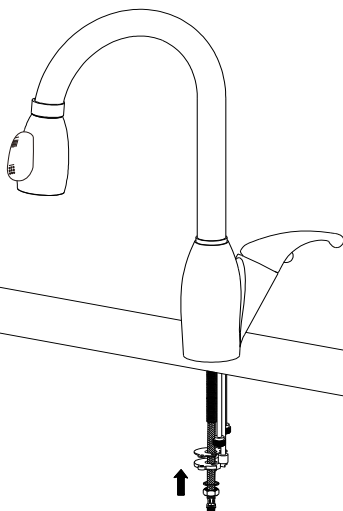


Faucet Installation Procedures

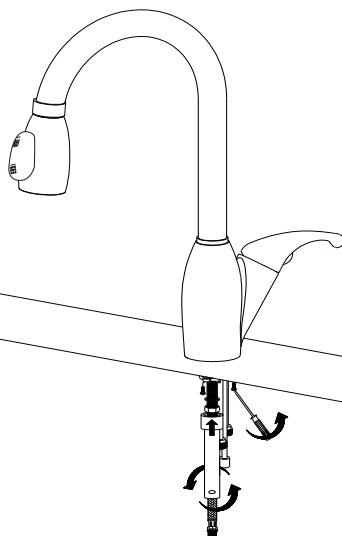
step ①



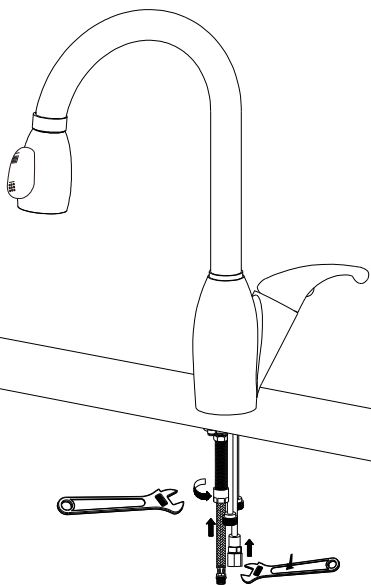
step ②



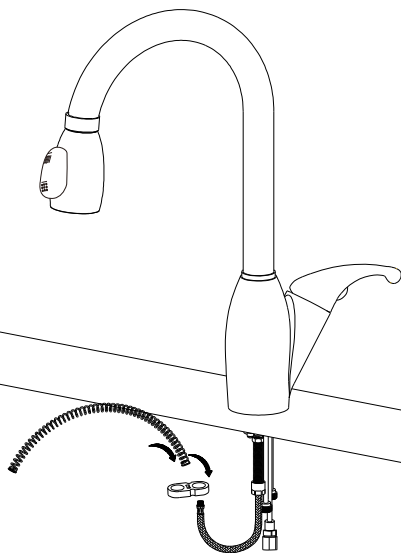
step ③



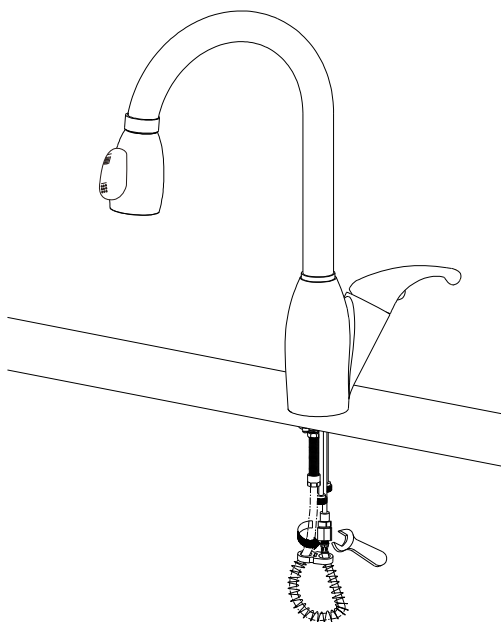
step ④



step ⑤



step ⑥

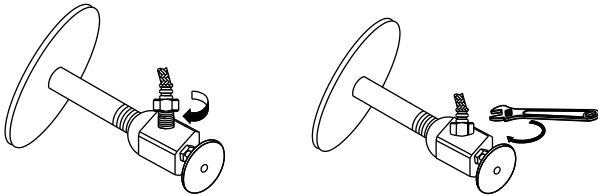


step ⑦

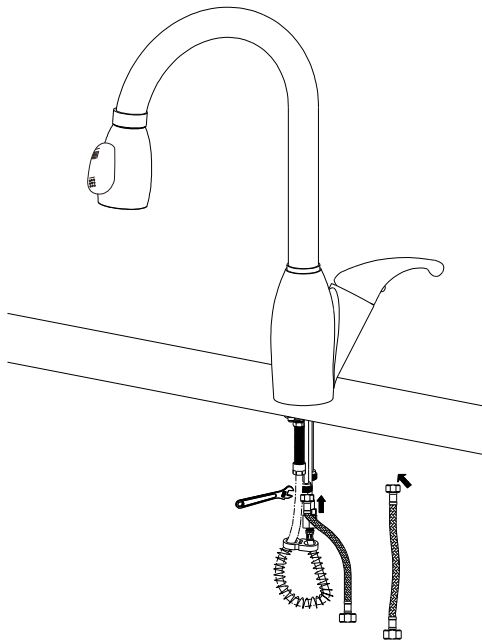
IMPORTANT!

Flush debris from the Hot and Cold angle valves by:

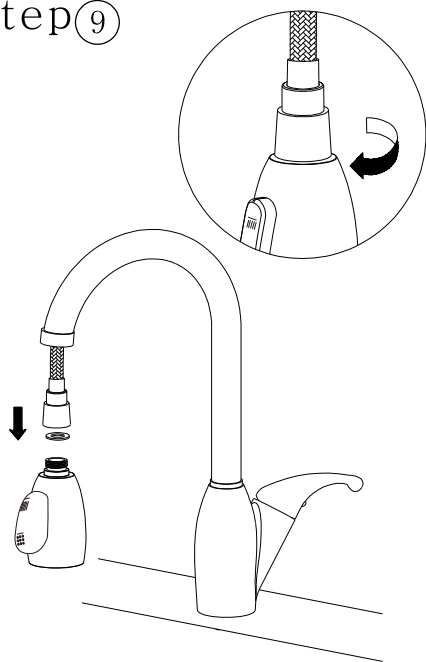
1. Connect water supply line to the angle valve.
2. Put the other end of the water supply line into a bucket and turn on water to flush.
3. Repeat step 2 with the other supply line.
4. Connect the Hot and Cold water lines to the faucet. Tighten securely, but do not over-tighten.



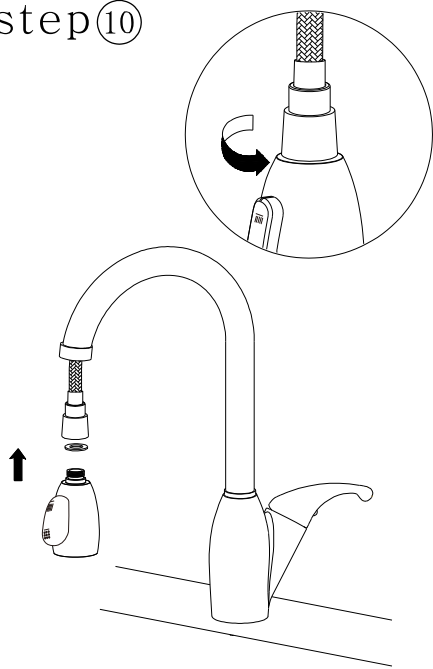
step ⑧



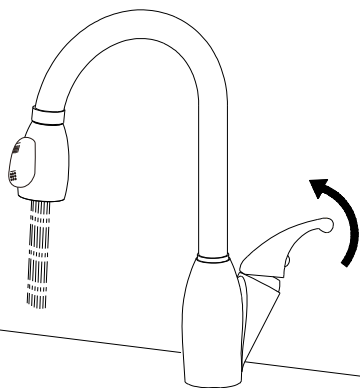
step ⑨



step ⑩



step ⑪



step ⑫

