

Installation Instruction

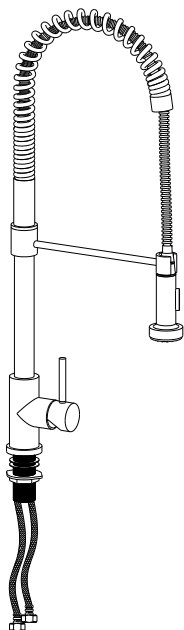
Single Handle Pre-Rinse Kitchen Faucet

KPS3031

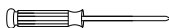


Before Your Installation

Check to make sure you have the following parts indicated below:



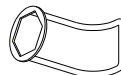
Tools You Will Need



Phillips screwdriver



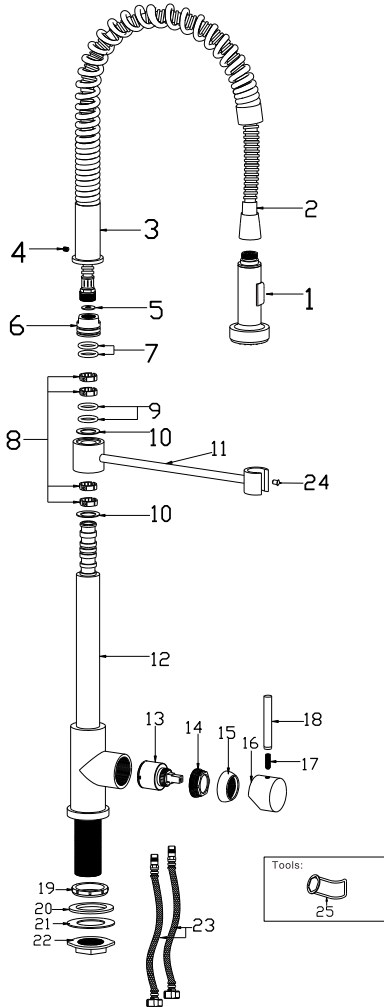
Adjustable wrench



Spanner
(Supplied)

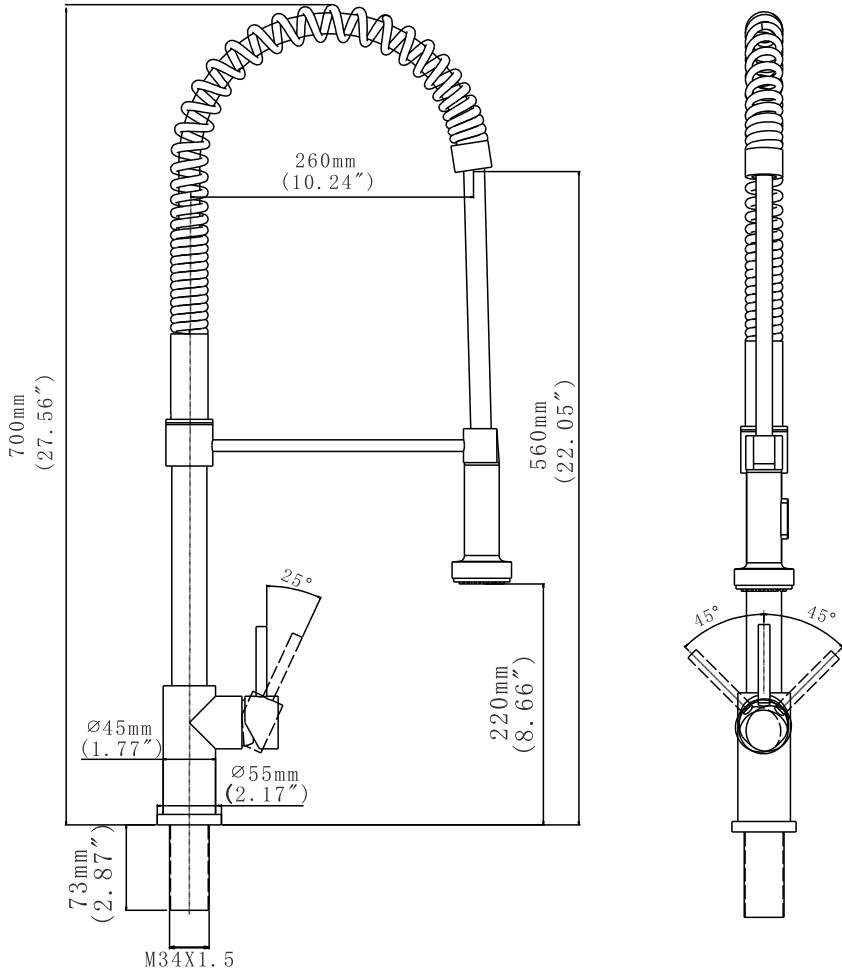
Replacement Parts

Keep this manual for ordering replacement parts.

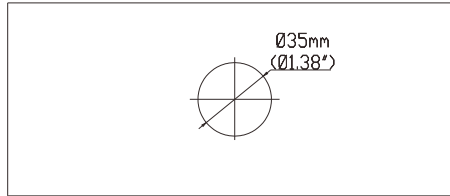


NO	NAME
1.	Sprayer
2.	Flex hose
3.	Spout
4.	Screw
5.	Flat gasket
6.	Connector
7.	O-ring
8.	Lock ring
9.	O-ring
10.	Anti-friction gasket
11.	Faucet body (with shower holder)
12.	Faucet body
13.	Cartridge
14.	Lock nut
15.	Cartridge holder
16.	Handle body
17.	Screw
18.	Knob
19.	Bottom gasket
20.	Rubber gasket
21.	Steel gasket
22.	Hexagon nut
23.	Hose
24.	Fixed lock ring
25.	Spanner for hexagon

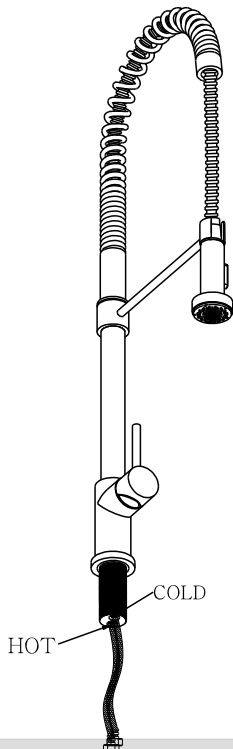
Product Dimension Drawing



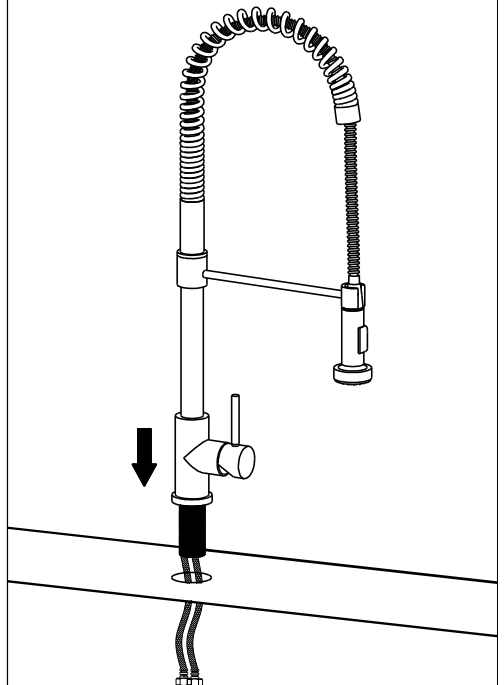
Faucet Installation Procedures



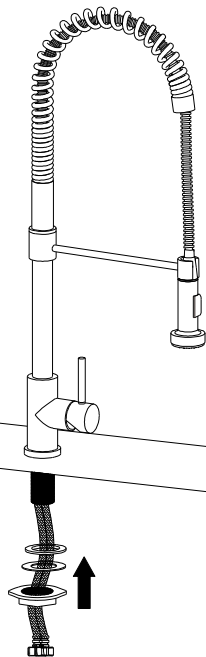
Step ①



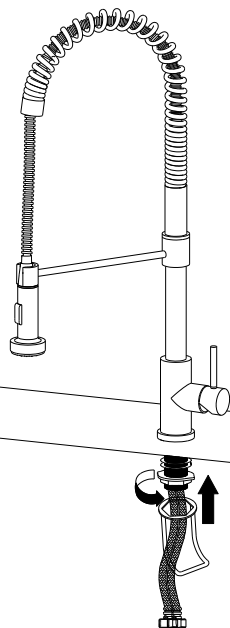
Step ②



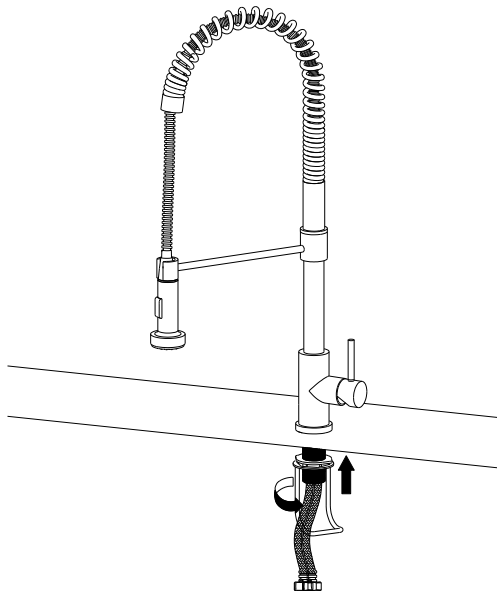
Step ③



Step ④



Step ⑤



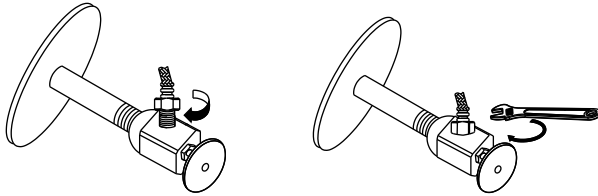
Step ⑥

IMPORTANT!

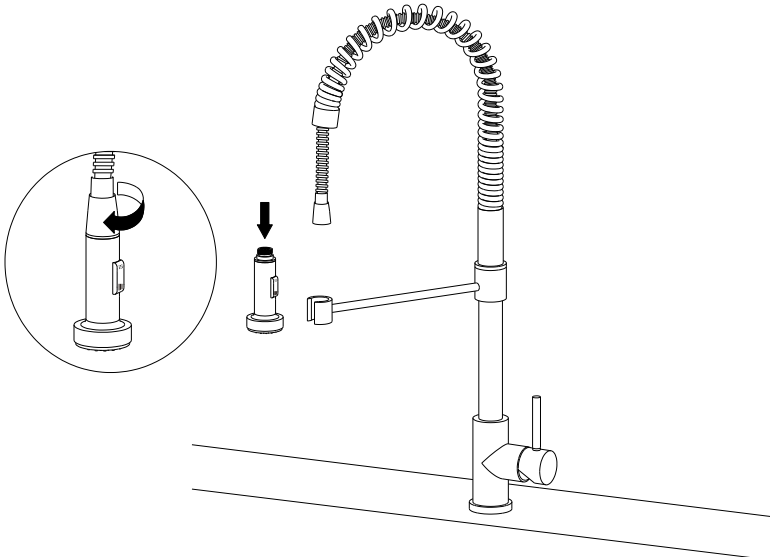
Run water out of Hot and Cold angle valves to flush debris **BEFORE** connecting the water supply lines.

Place a bucket under the valve. When valve is turned on water will shoot up. Cup over the valve opening so water will fall into the bucket.

Connect Hot & Cold water lines to angle valves. Tighten securely, but do not overtighten.



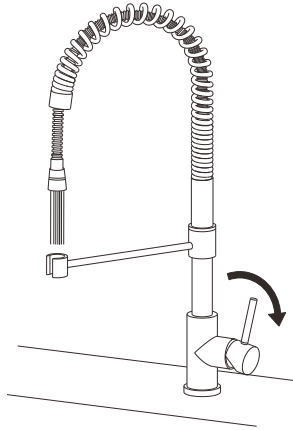
Step ⑦



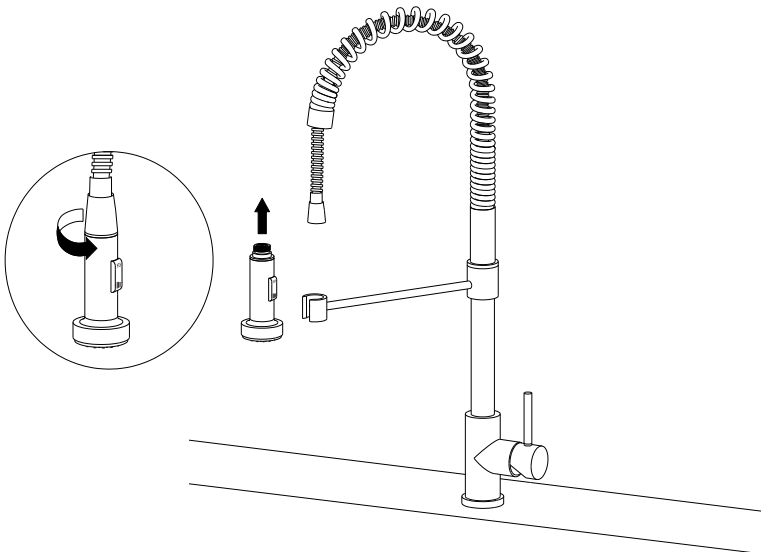
Step ⑧

IMPORTANT!

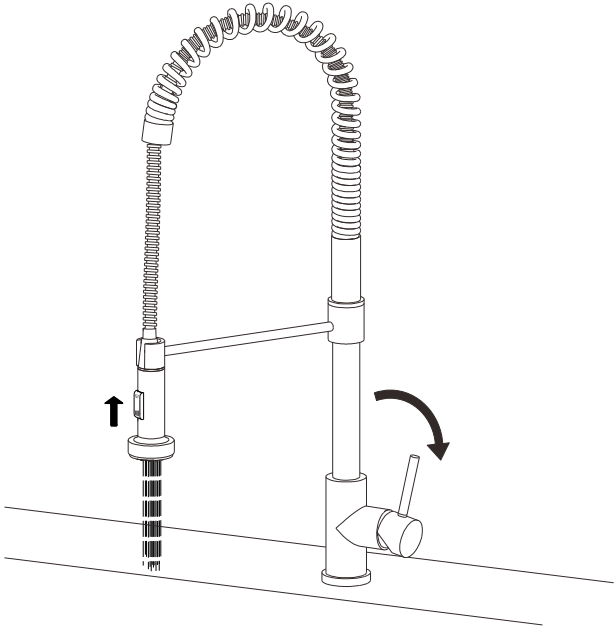
Remove the spray head and perform a final flush by turning on the water.



Step ⑨



Step ⑩



Step ⑪

