

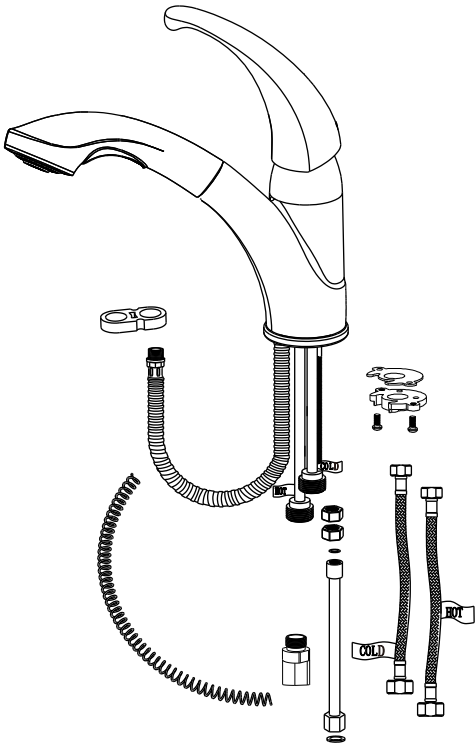
# Installation Instruction

Single Lever Kitchen Faucet With Pull-out Sprayer

## KPS3029C

### Before Your Installation

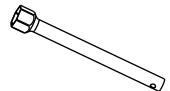
Check to make sure you have the following parts indicated below:



### Tools You Will Need



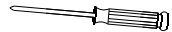
Small spanner  
(Supplied)



Tools for loosening  
the hexagon nut  
(supplied)



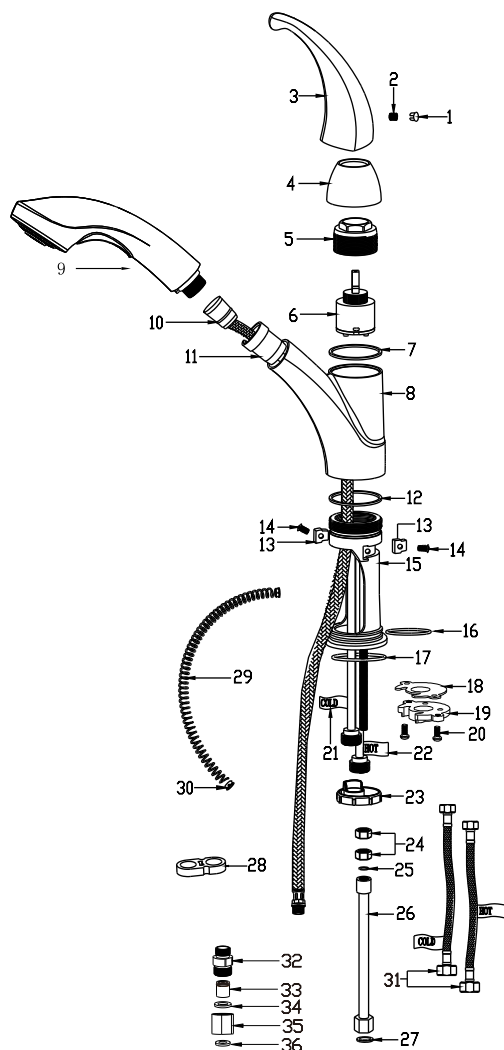
Adjustable wrench



Phillips screwdriver

# Replacement Parts

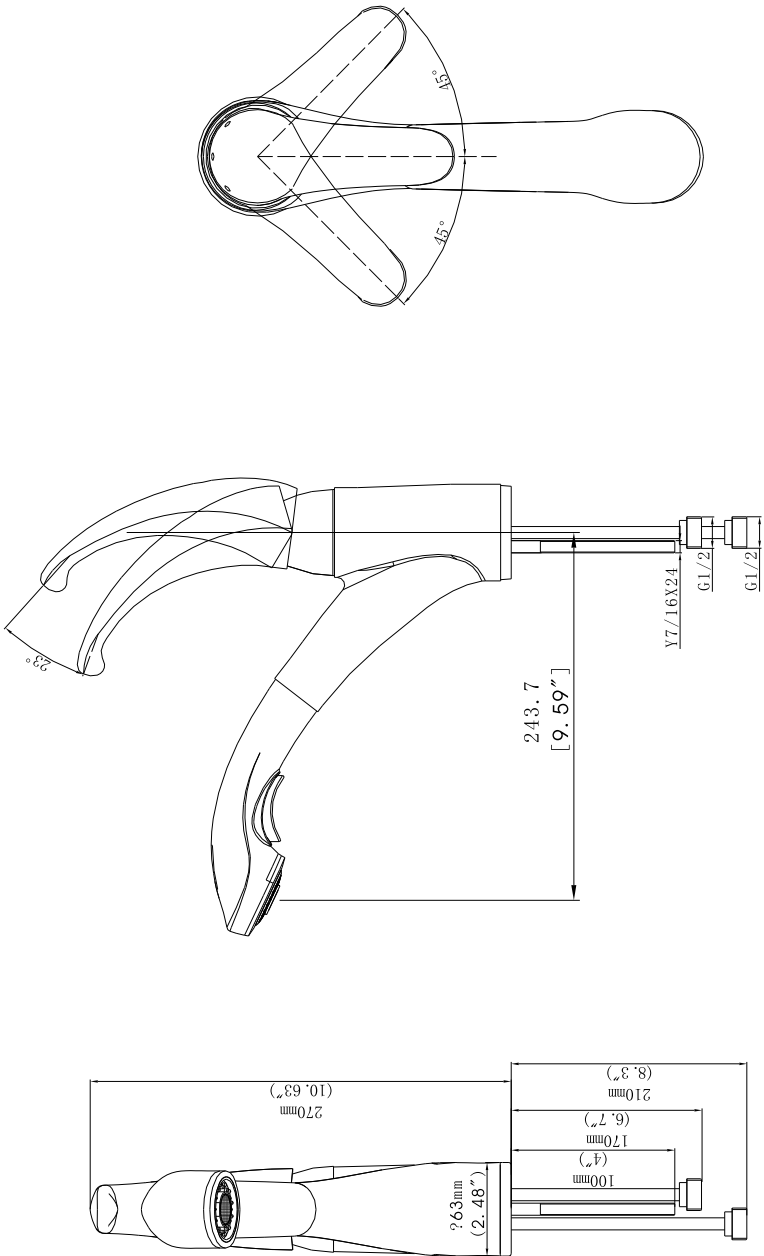
Keep this manual for ordering replacement parts.



## NO NAME

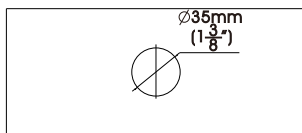
1. Cover cap
2. Screw
3. Handle
4. Cartridge holder
5. Lock nut
6. Cartridge
7. Gasket against friction
8. Facuet body
9. Pull-out spout
10. Black nylon hose
11. Spout holder
12. Gasket against friction
13. Noice muffler
14. Screw
15. Cartridge holder
16. O-ring
17. O-ring
18. Rubber gasket
19. Stainless steel gasket
20. Screw
21. Blue label
22. Red label
23. Flexible holder
24. Hexagon nut
25. O-ring
26. Extension for flexible hose
27. Flat gasket
28. Spring holder
29. Spring
30. Anti-friction cover
31. Hose
32. Bushing(male thread)
33. Check valve
34. Gasket
35. Bushing(female thread)
36. Gasket

# Product Dimension Drawing

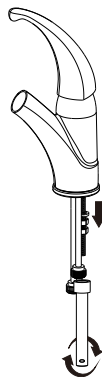


# Faucet Installation Procedures

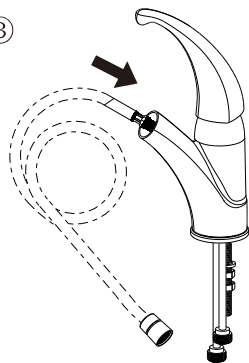
Step ①



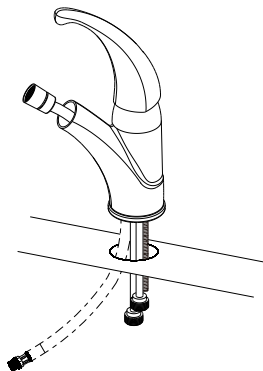
Step ②



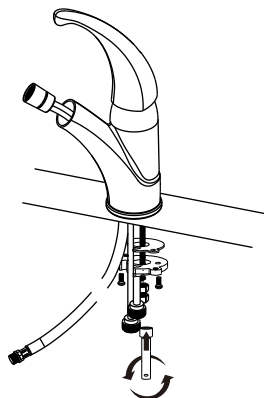
Step ③



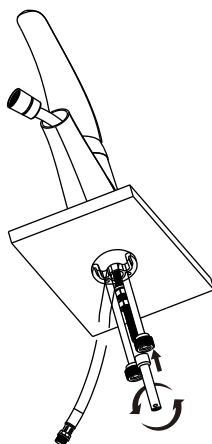
Step ④



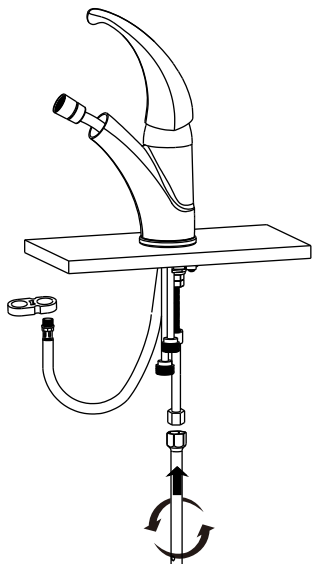
Step ⑤



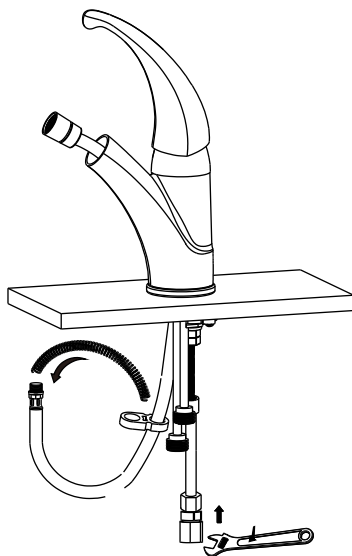
Step ⑥



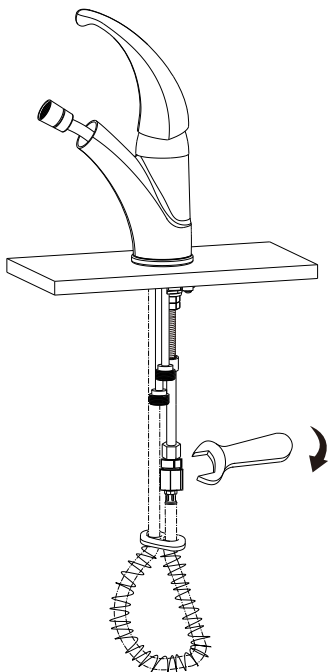
Step ⑦



Step ⑧



Step ⑨

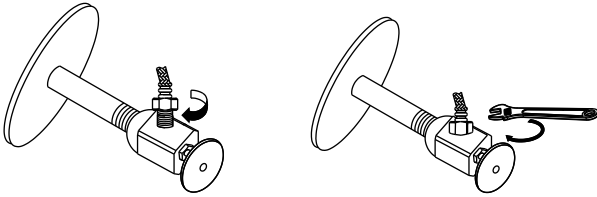


Step ⑩

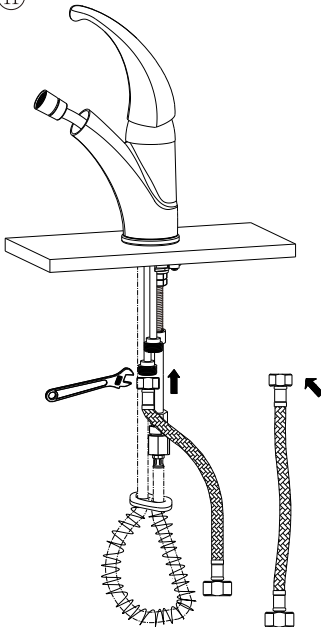
## IMPORTANT!

Flush debris from the Hot and Cold angle valves by:

1. Connect water supply line to the angle valve.
2. Put the other end of the water supply line into a bucket and turn on water to flush.
3. Repeat step 2 with the other supply line.
4. Connect the Hot and Cold water lines to the faucet. Tighten securely, but do not overtighten.



Step ⑪



Step ⑫

