

Installation Instruction

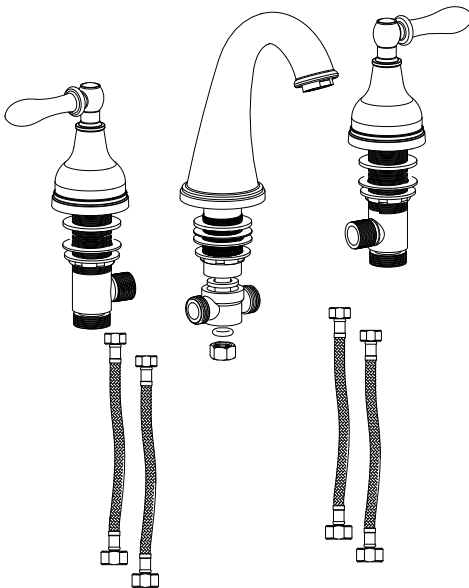
Wide Spread Lavatory/Bath Tub Faucet

LAV704



Before Your Installation

Check to make sure you have the following parts indicated below:



Tools You Will Need



Pipe tape



Phillips screwdriver



Adjustable wrench



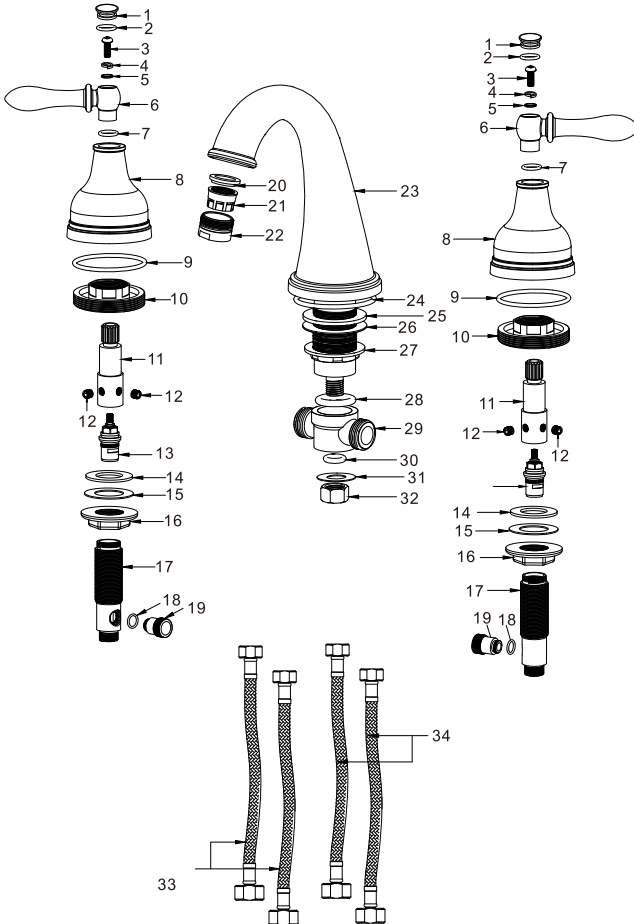
Hexagon wrench
(Supplied)



Spanner for aerator
(supplied)

Replacement Parts

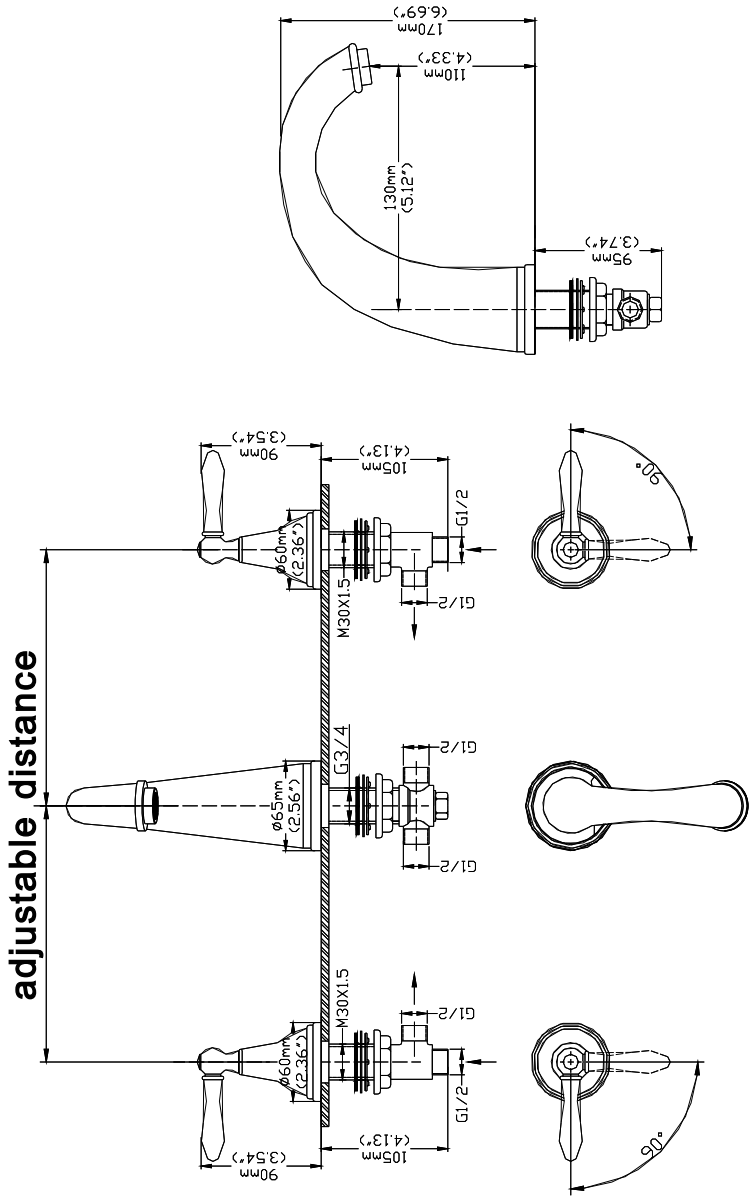
Keep this manual for ordering replacement parts.



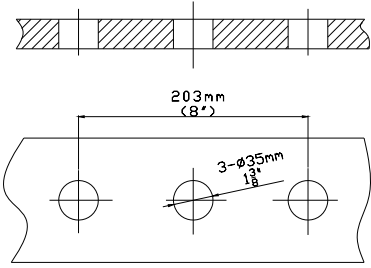
NO NAME

1. Cover cap
2. O-ring
3. Screw
4. Underlay
5. Underlay
6. Handle
7. O-ring
8. Handle body
9. O-ring
10. Table holder
11. Extended bar
12. Screw
13. Cartridge
14. Rubber gasket
15. Skidproof underlay
16. Hexagon nut
17. Cartridge holder
18. O-ring
19. Connector
20. Gasket
21. Aerator
22. Aerator holder
23. Faucet body
24. O-ring
25. Rubber gasket
26. Skidproof underlay
27. Hexagon nut
28. O-ring
29. Tee connecto
30. O-ring
31. Washer
32. Lock nut
33. Hose
34. Hose

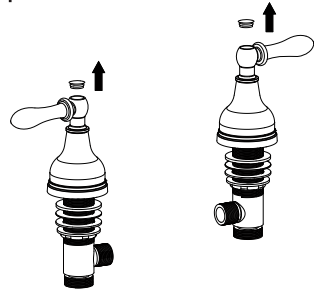
Product Dimension Drawing



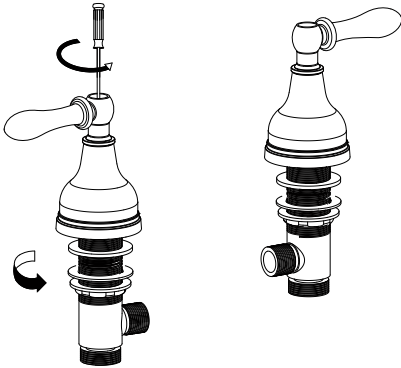
Faucet Installation Procedures



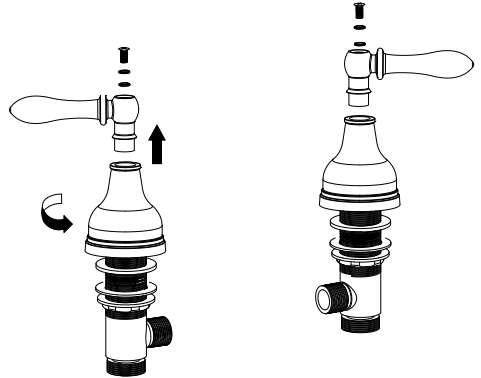
Step ①



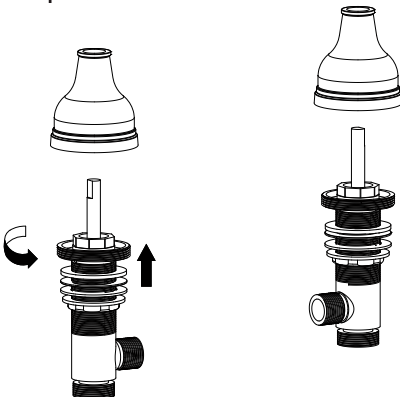
Step ②



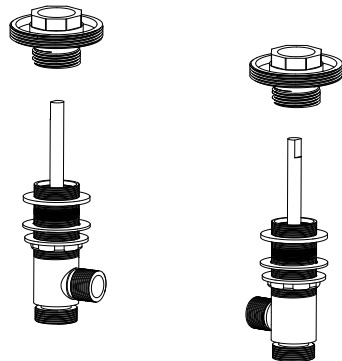
Step ③



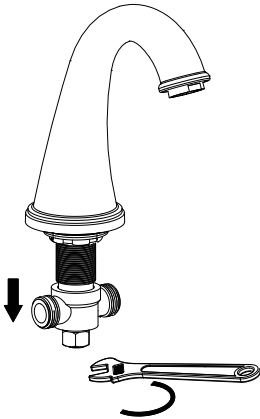
Step ④



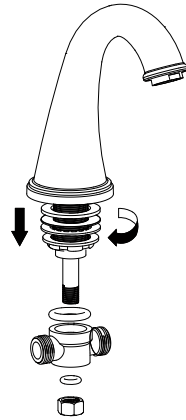
Step ⑤



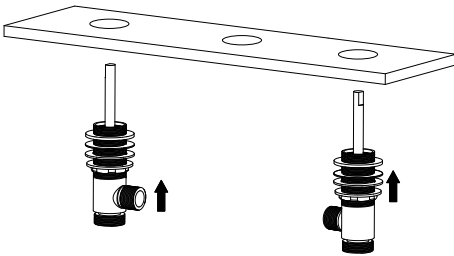
Step ⑥



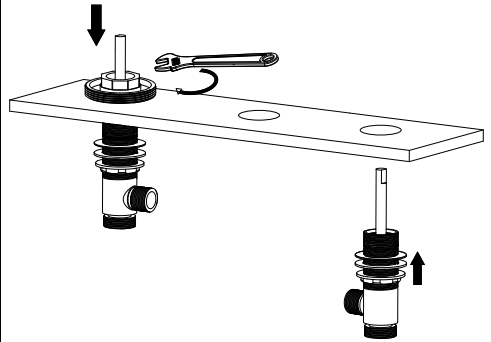
Step ⑦



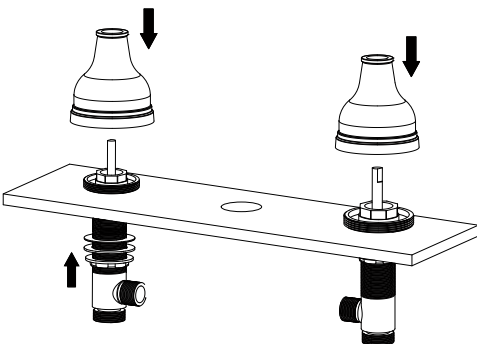
Step ⑧



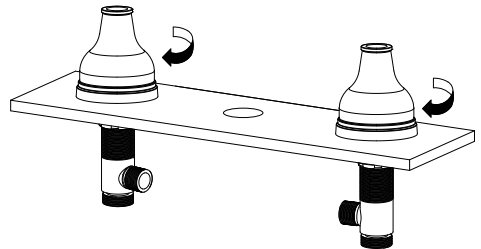
Step ⑨



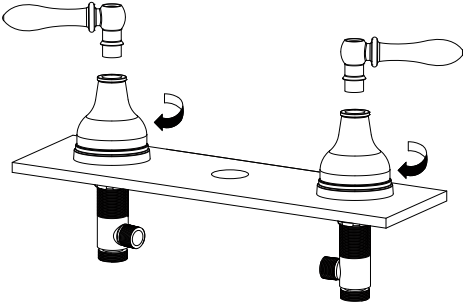
Step ⑩



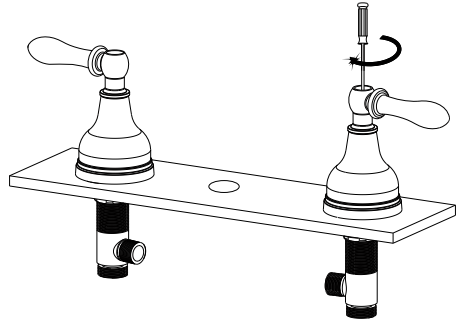
Step ⑪



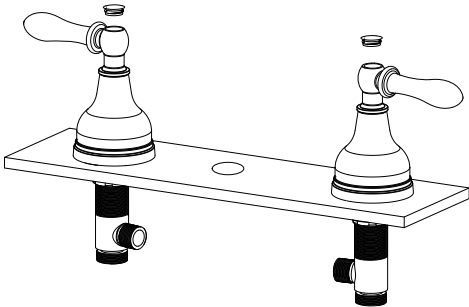
Step 12



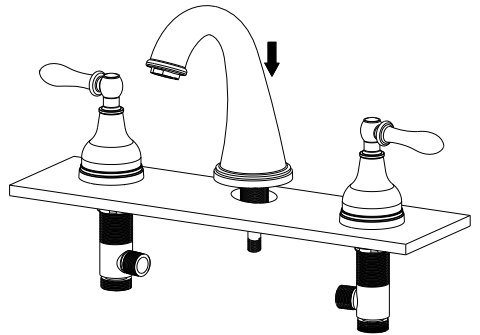
Step 13



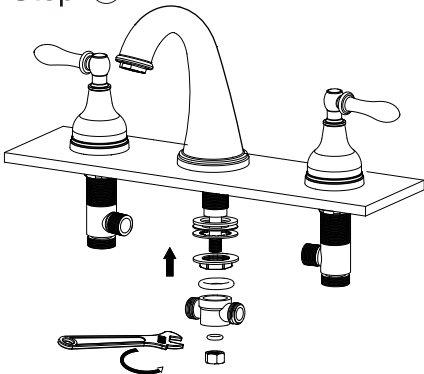
Step 14



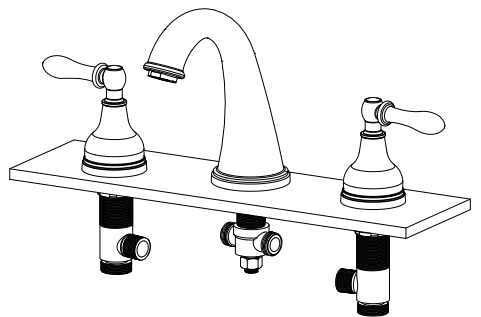
Step 15



Step 16



Step 17

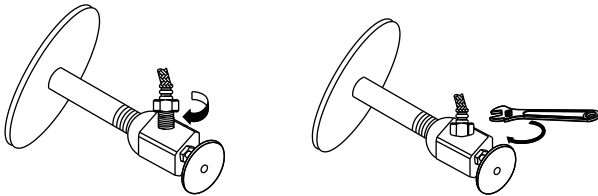


Step 18

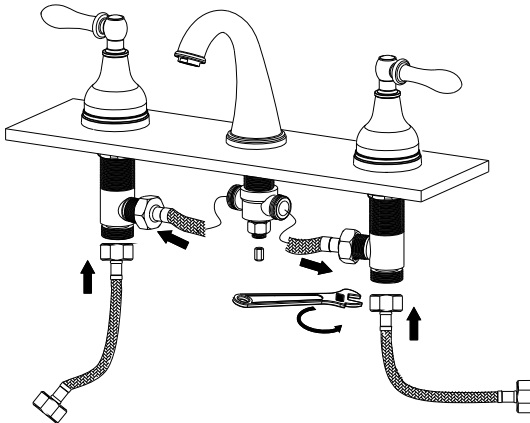
IMPORTANT!

Flush debris from the Hot and Cold angle valves by:

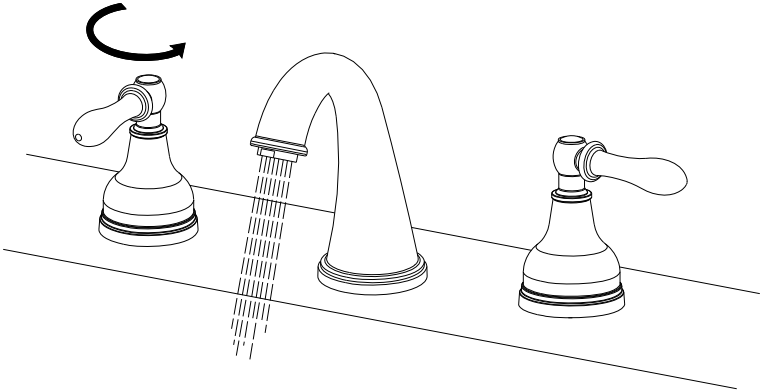
1. Connect water supply line to the angle valve.
2. Put the other end of the water supply line into a bucket and turn on water to flush.
3. Repeat step 2 with the other supply line.
4. Connect the Hot and Cold water lines to the faucet. Tighten securely, but do not over-tighten.



Step 19



Step 20



Step 21

