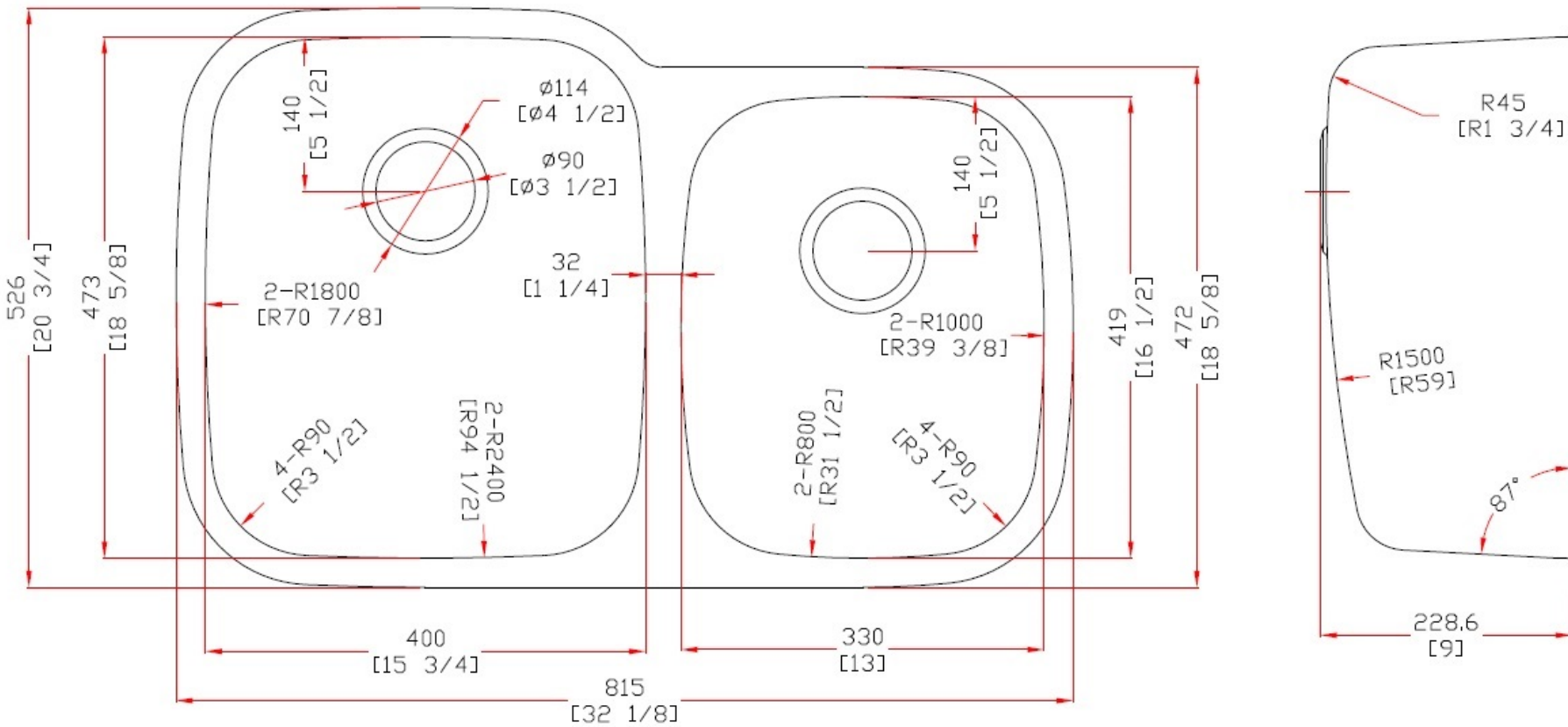
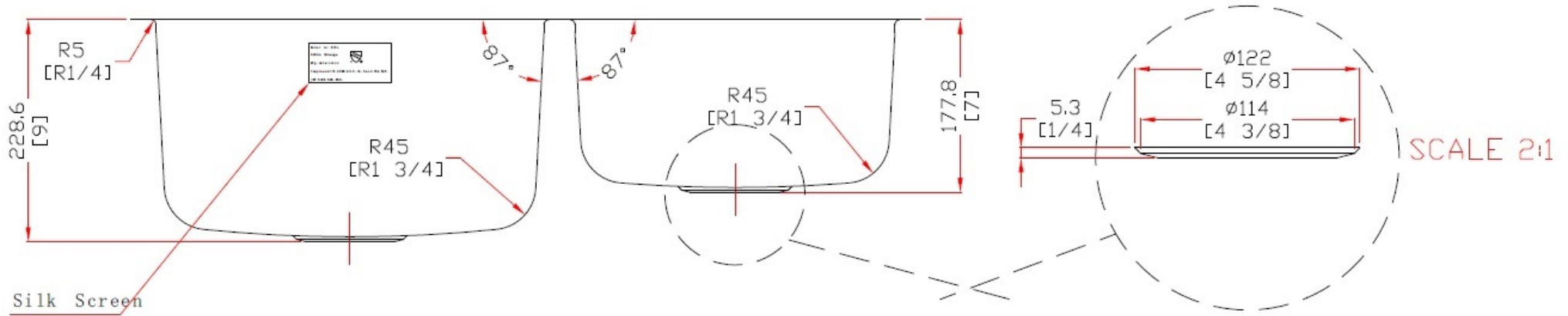


MODEL M603



Remark:
 R2.5 — mm
 [R1/8] — inch