

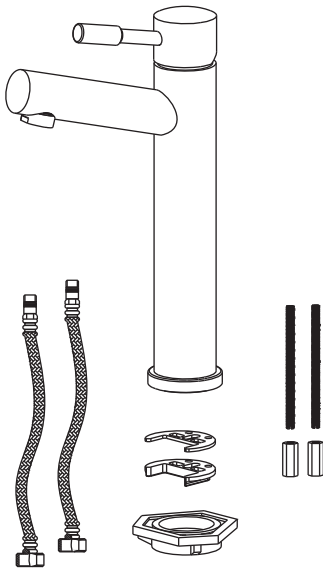
Installation Instruction

Single Handle Lavatory Faucet



Before Your Installation

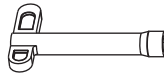
Check to make sure you have the following parts indicated below:



Tools You Will Need



Adjustable wrench



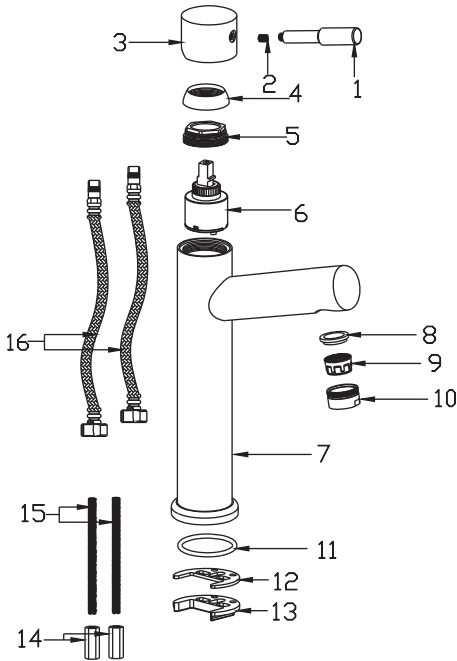
Spanner for body
(supplied)



Spanner for aerator
(supplied)

Replacement Parts

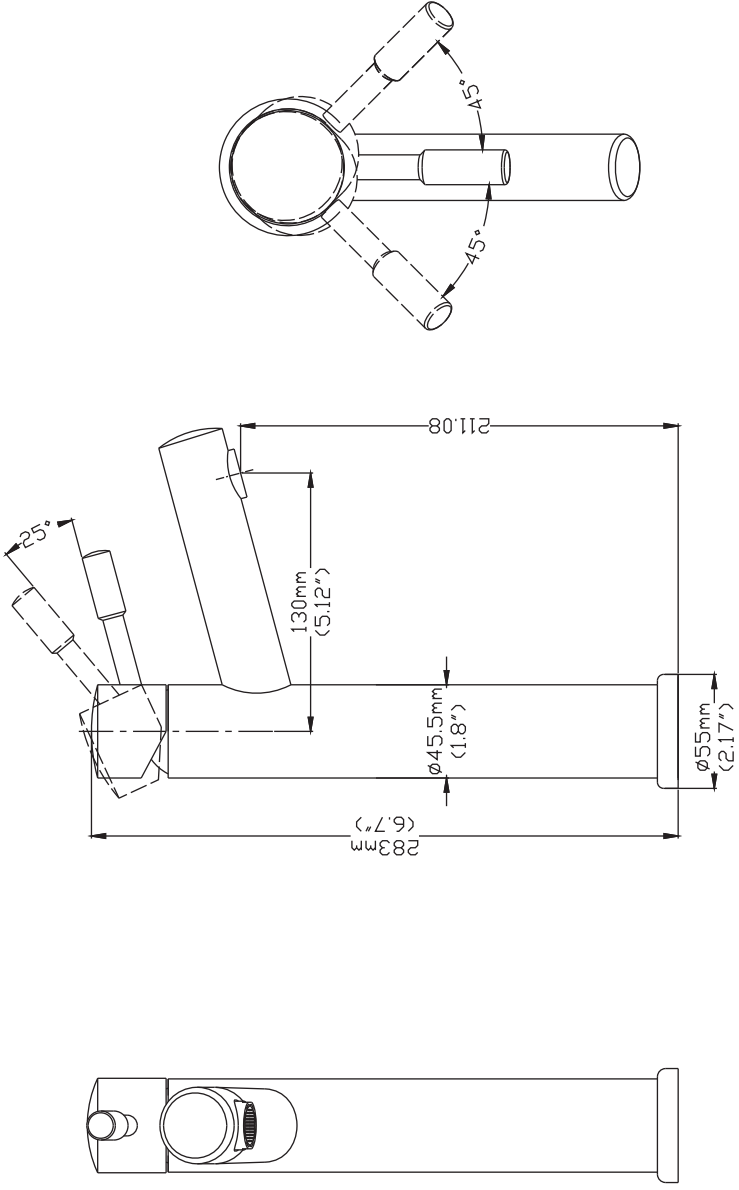
Keep this manual for ordering replacement parts.



NO NAME

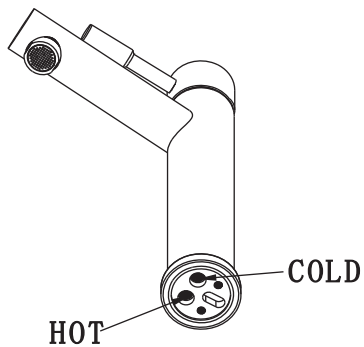
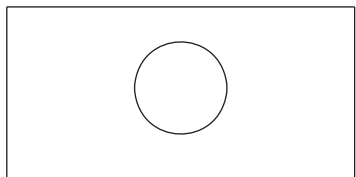
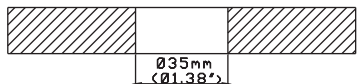
- | | |
|------|------------------------|
| 1. | Handle knob |
| 2. | Screw |
| 3. | Handle body |
| 4. | Cartridge holder |
| 5. | Lock nut |
| 6. | Cartridge |
| 7. | Faucet body |
| 8. | Gasket |
| 9. | Aerator |
| 10. | Aerator holder |
| 11. | O-ring |
| 12. | Rubber gasket |
| 13. | Stainless steel gasket |
| 14. | Lock screw |
| 15. | Lock nut |
| 16.. | Hose |

Product Dimension Drawing

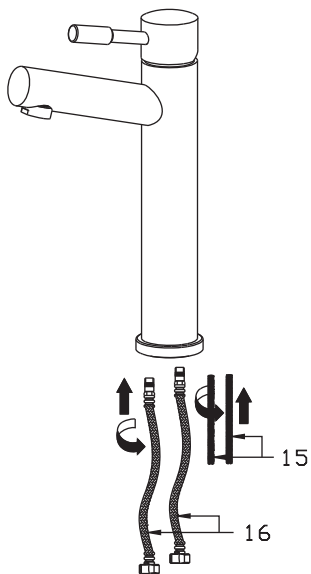


Faucet Installation Procedures

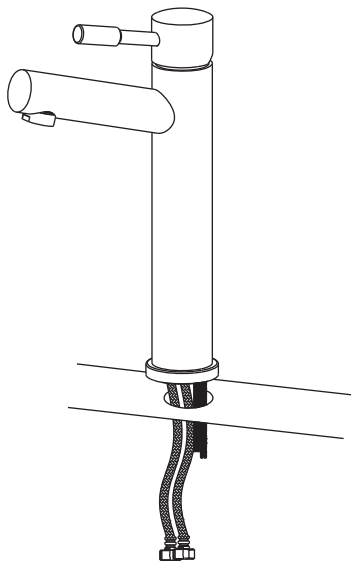
Step ①



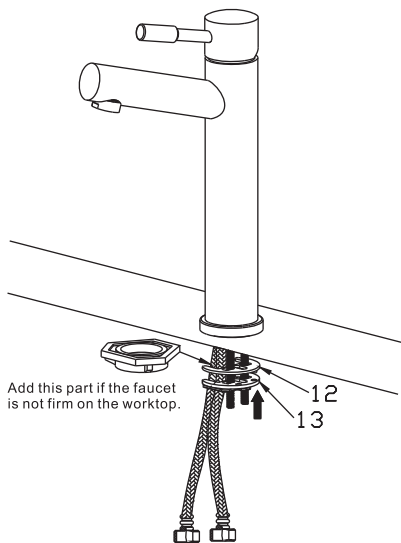
Step ②



Step ③

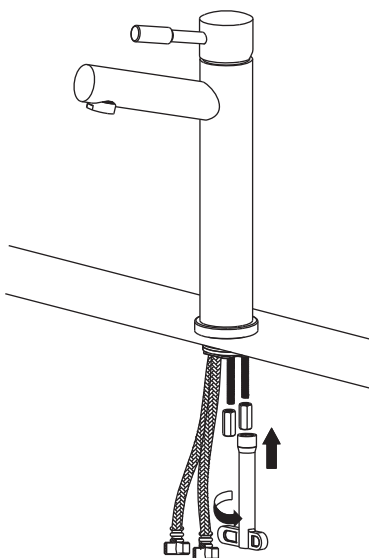


Step ④

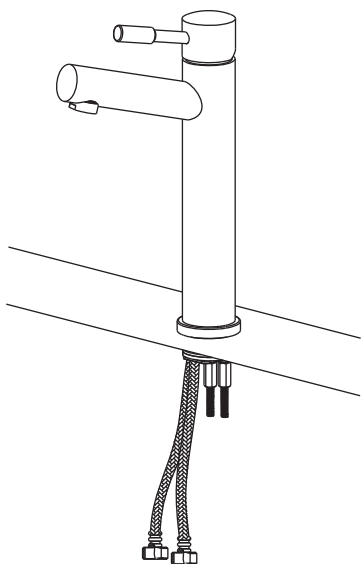


Add this part if the faucet is not firm on the worktop.

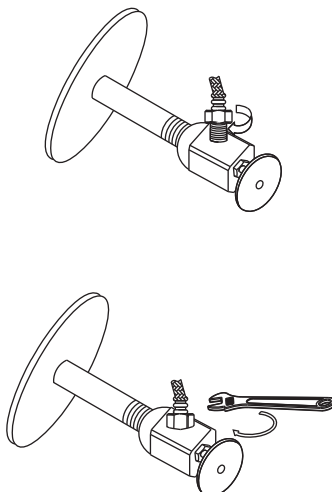
Step ⑤



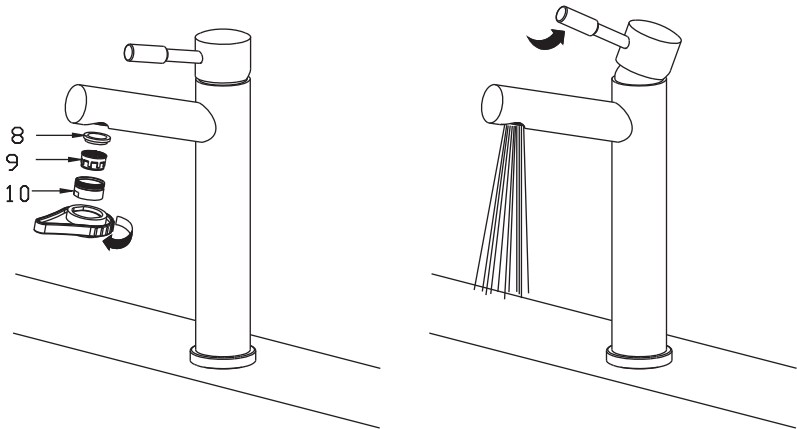
Step ⑥



Step ⑦



Step ⑧



Notice:

Please removing all of the sand, silt and other things from the water hose before assembling, to avoid blocking the faucet and effecting water rate. Please use the special tools to disassemble it and wash with pneumatic equipment, if the faucet blocked.