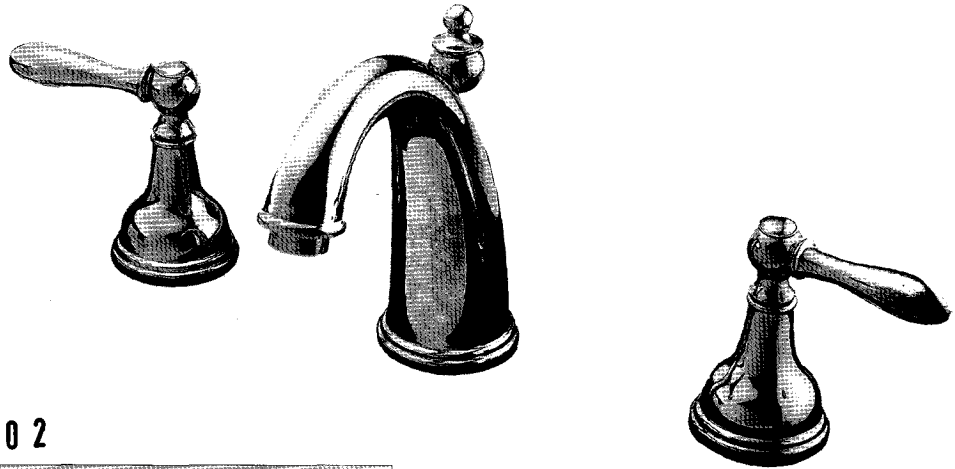


Installation Instruction

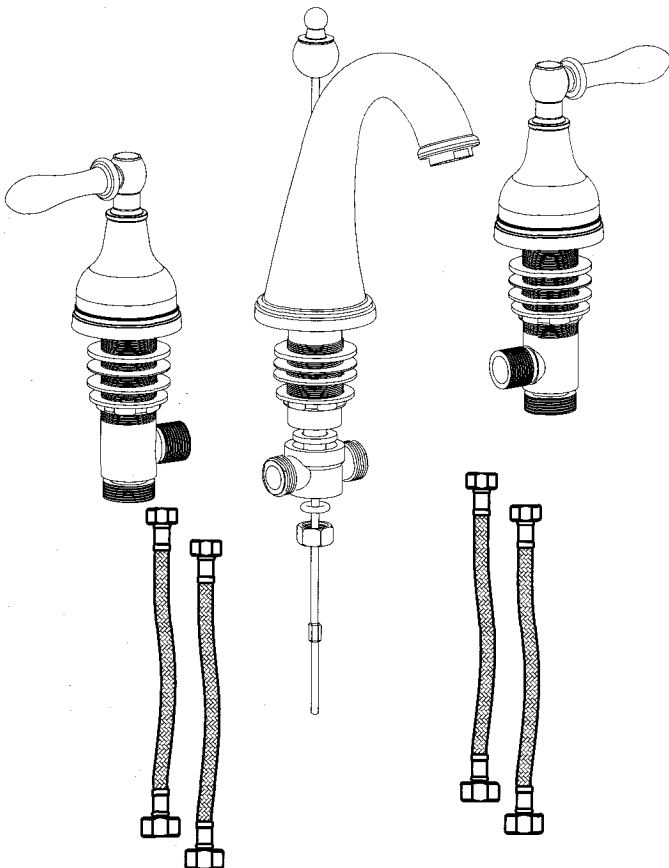
Wide Spread Lavatory/Bath Tub Faucet



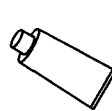
AW 0707 00202

Before Your Installation

Check to make sure you have the following parts indicated below:



Tools You Will Need



Anaerobic adhesive
(supplied)



Phillips screwdriver



Adjustable wrench



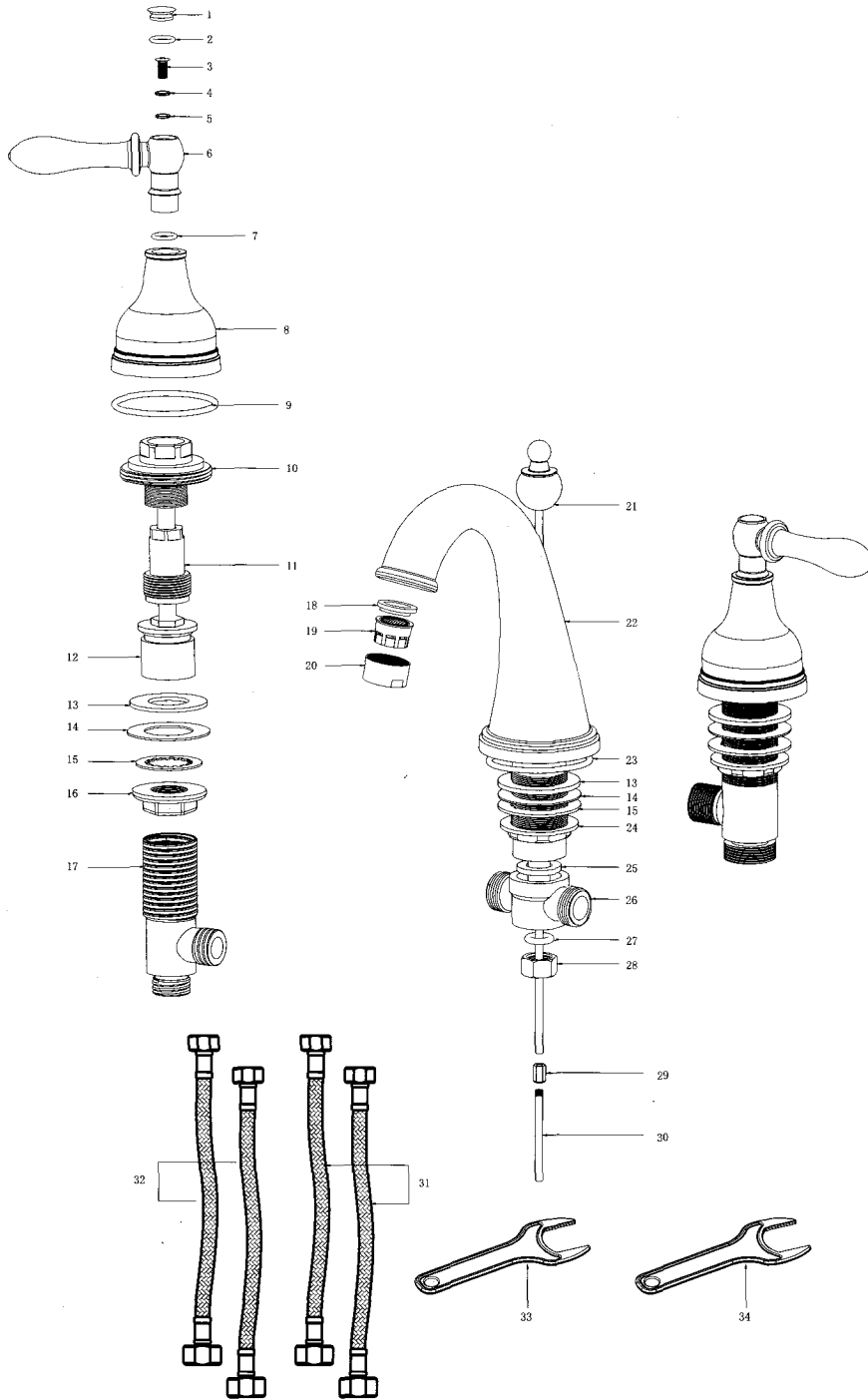
Small spanner
(Supplied)



Small spanner
(Supplied)

Replacement Parts

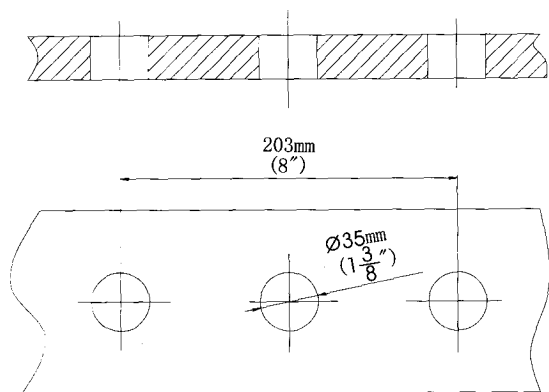
Keep this manual for ordering replacement parts.



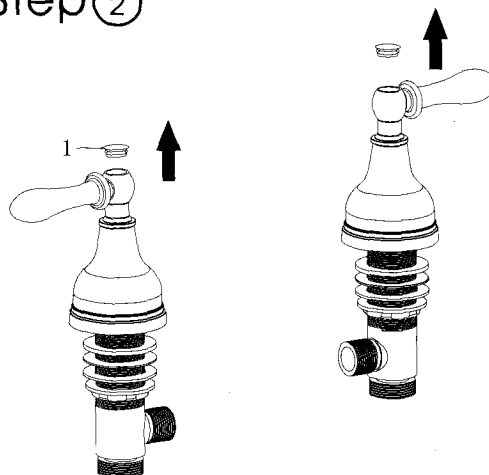
NO	NAME
1.	Accessorized
2.	O ring
3.	Allen screw (M4)
4.	Underlay
5.	Underlay
6.	Handle
7.	O ring
8.	Handle body
9.	O ring
10.	Table holder
11.	Cartridge holder
12.	Cartridge
13.	Rubber underlay
14.	Steel underlay
15.	Skidproof underlay
16.	Hexagon nut
17.	Cartridge holder
18.	Gasket
19.	Aerator
20.	Tap
21.	Rod
22.	Faucet body
23.	O-ring
24.	Hexagon nut
25.	Rubber gasket
26.	Tee connector
27.	O-ring
28.	Hexagon nut
29.	M4 nut
30.	Pipe-jaw
31.	Hose
32.	Hose
33.	Spanner for handle
34.	Spanner for body

Faucet Installation Procedures

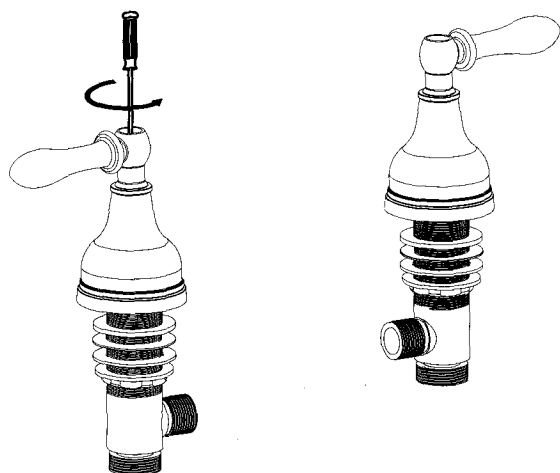
Step ①



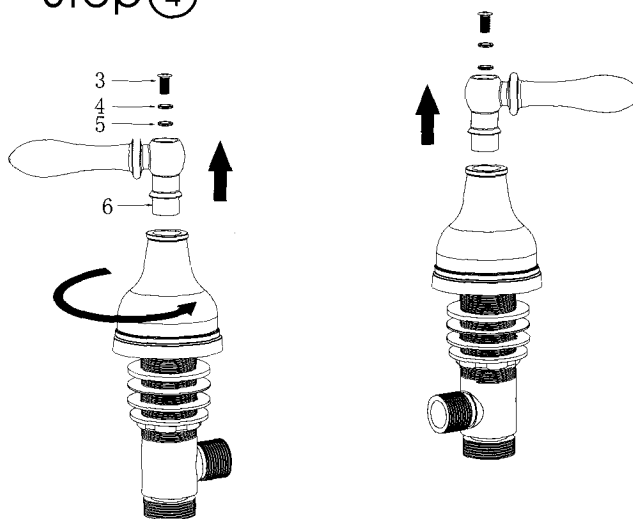
Step ②



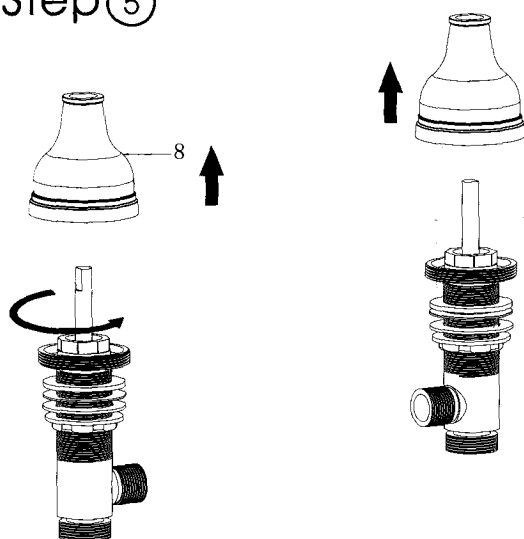
Step ③



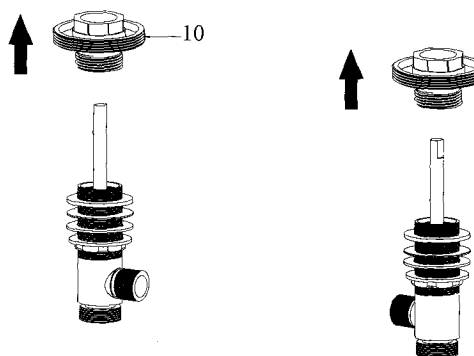
Step ④



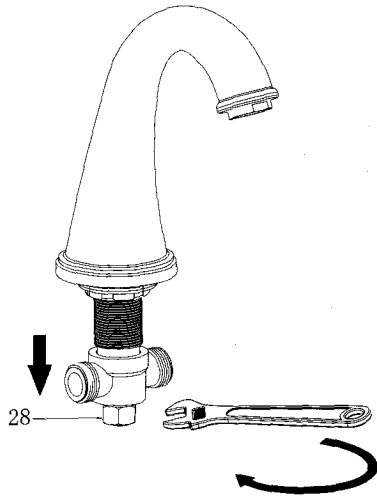
Step ⑤



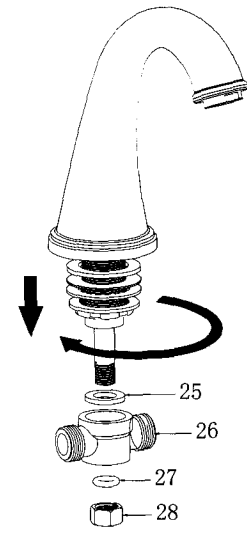
Step ⑥



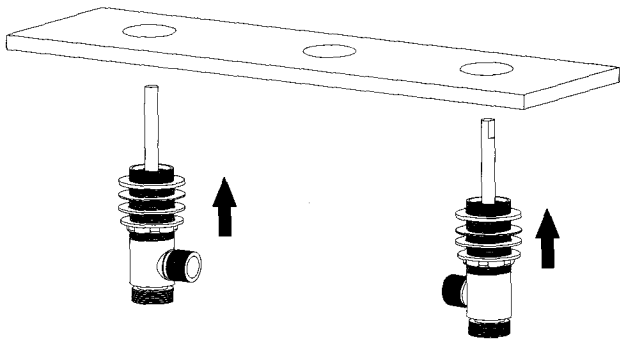
Step ⑦



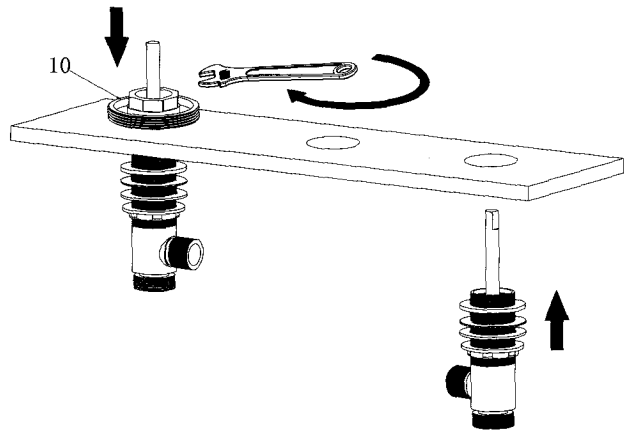
Step ⑧



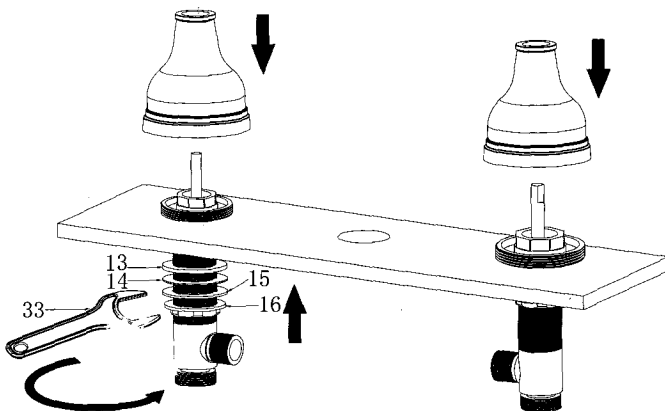
Step ⑨



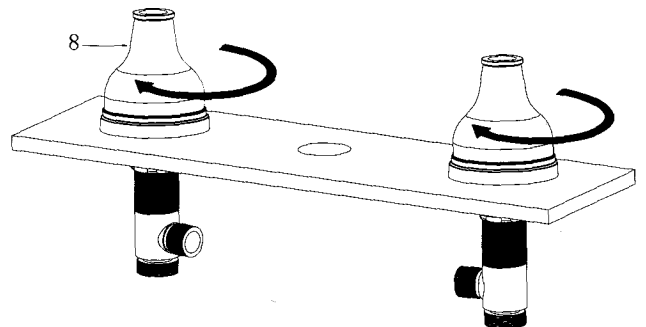
Step ⑩



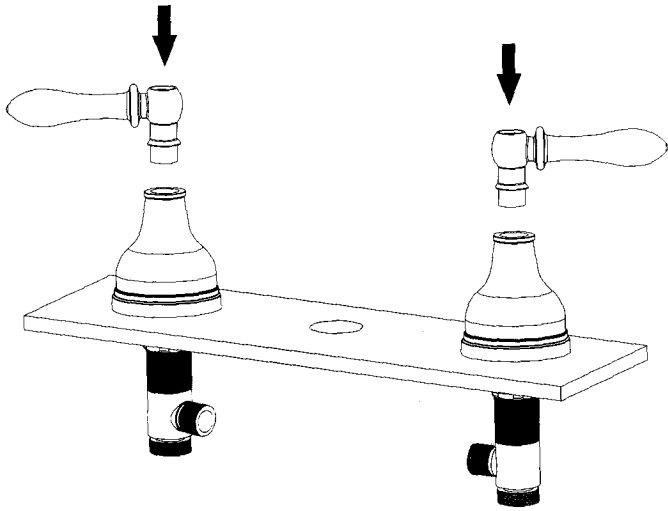
Step ⑪



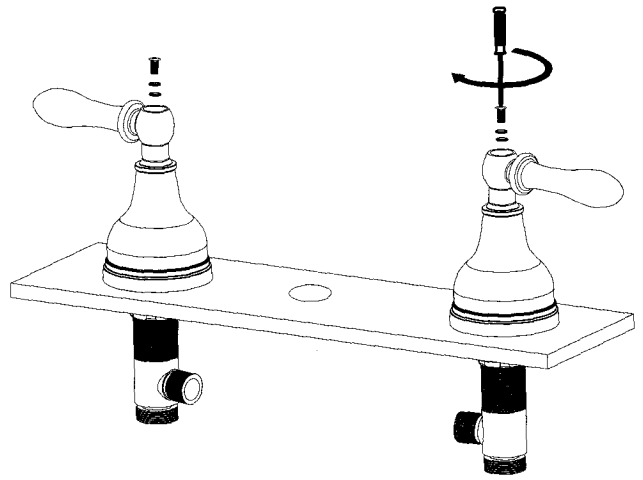
Step ⑫



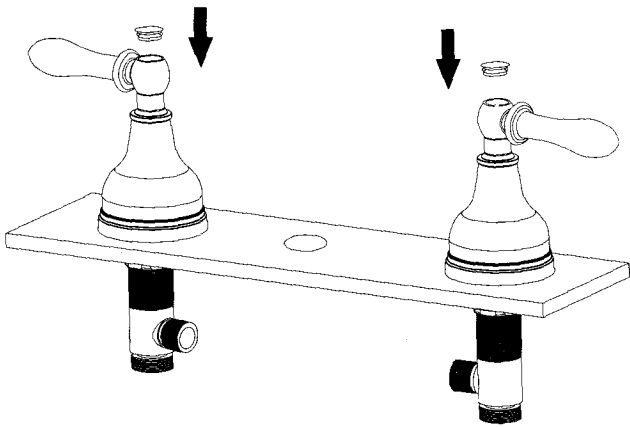
Step 13



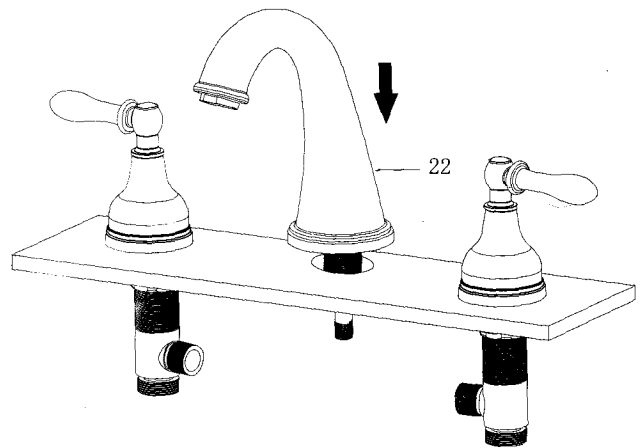
Step 14



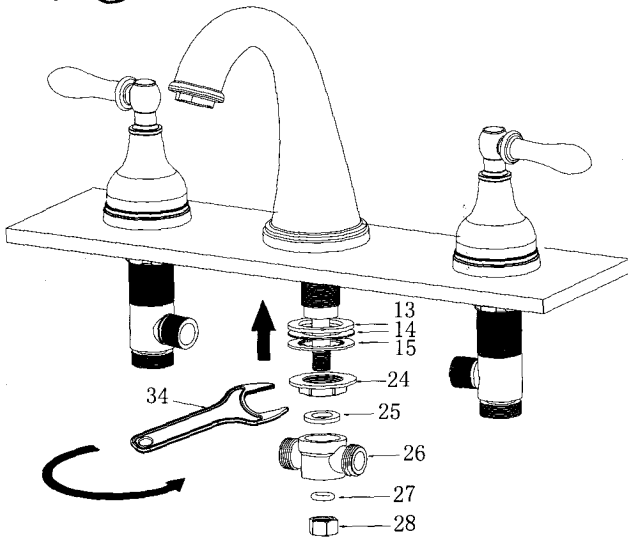
Step 15



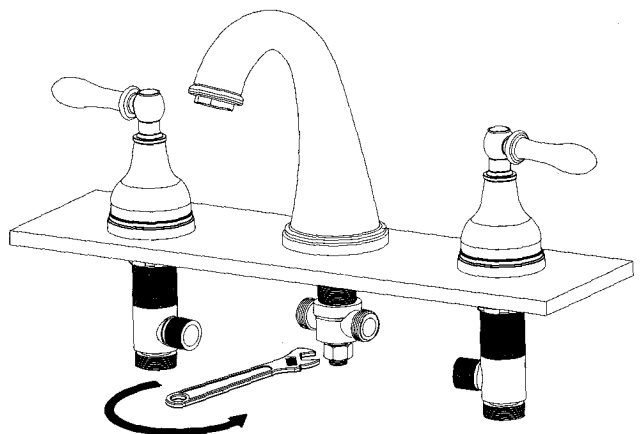
Step 16



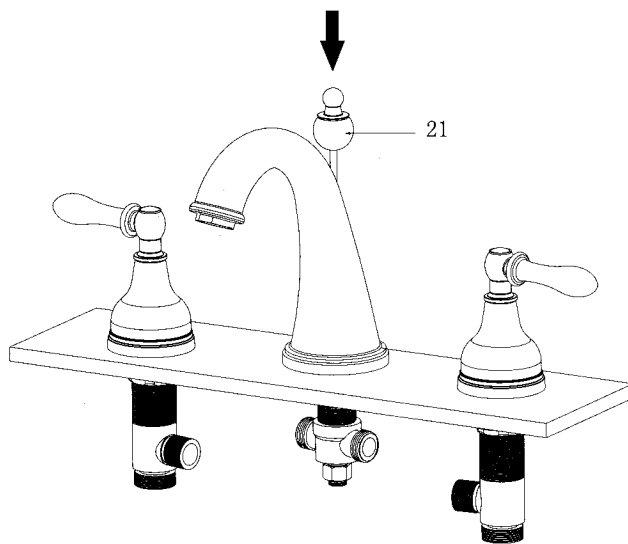
Step 17



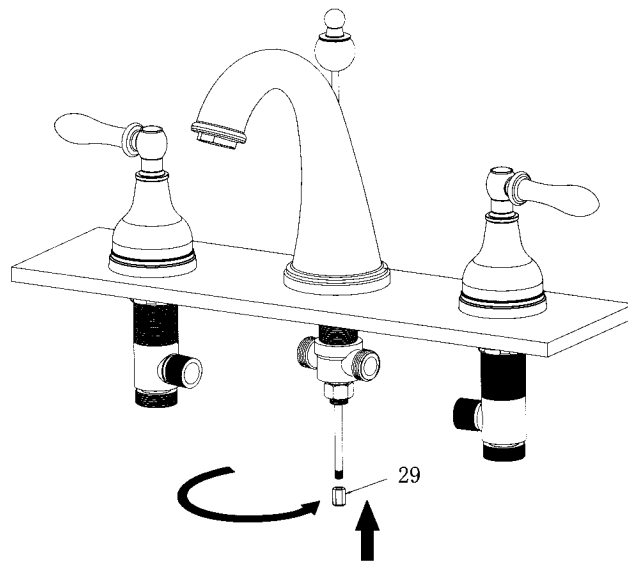
Step 18



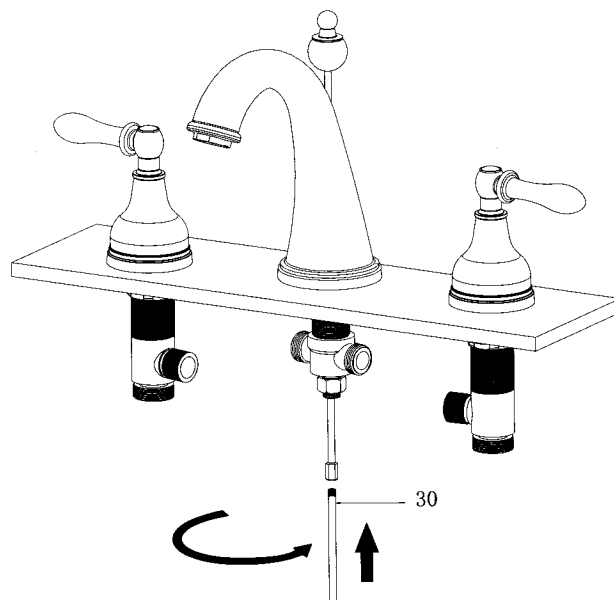
Step 19



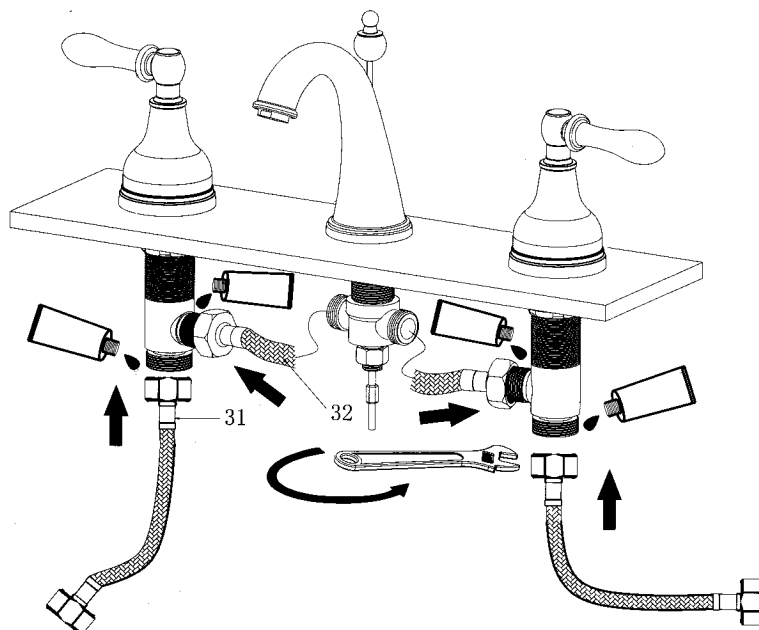
Step 20



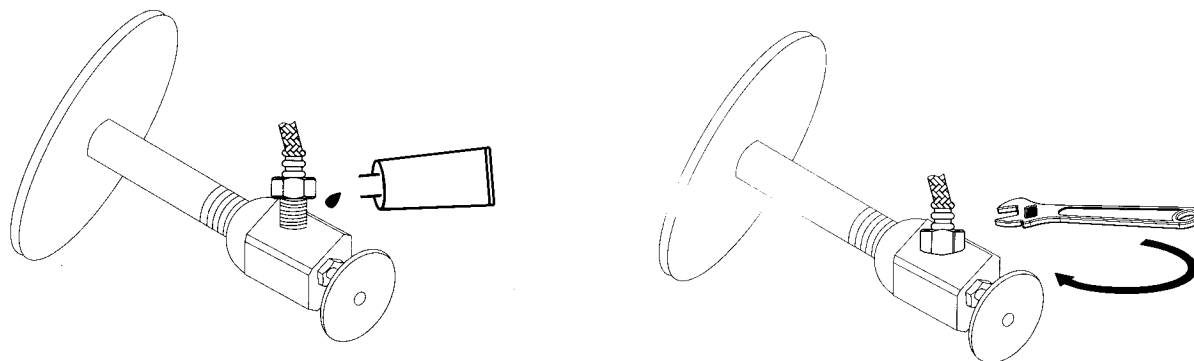
Step 21



Step 22



Step 23



Step 24

