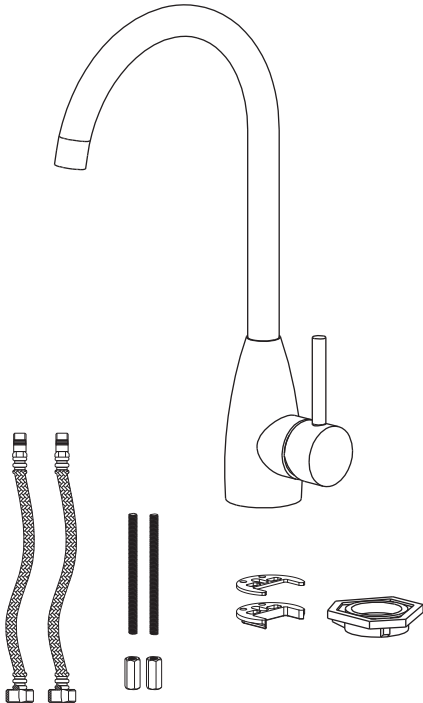


Installation Instruction

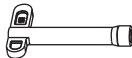
Single Handle Pull-down Kitchen Faucet

Before Your Installation

Check to make sure you have the following parts indicated below:



Tools You Will Need



Spanner for body (supplied)



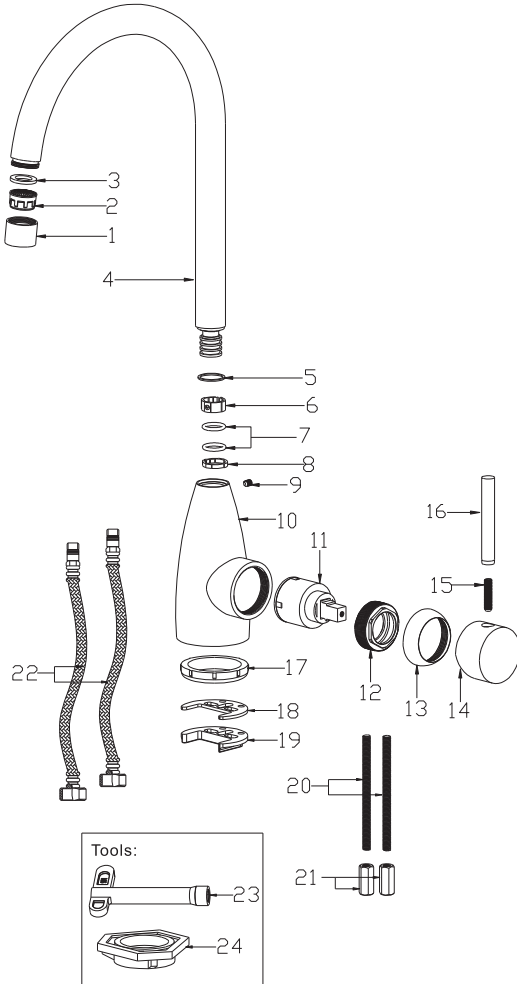
Adjustable wrench



Spanner for aerator (supplied)

Replacement Parts

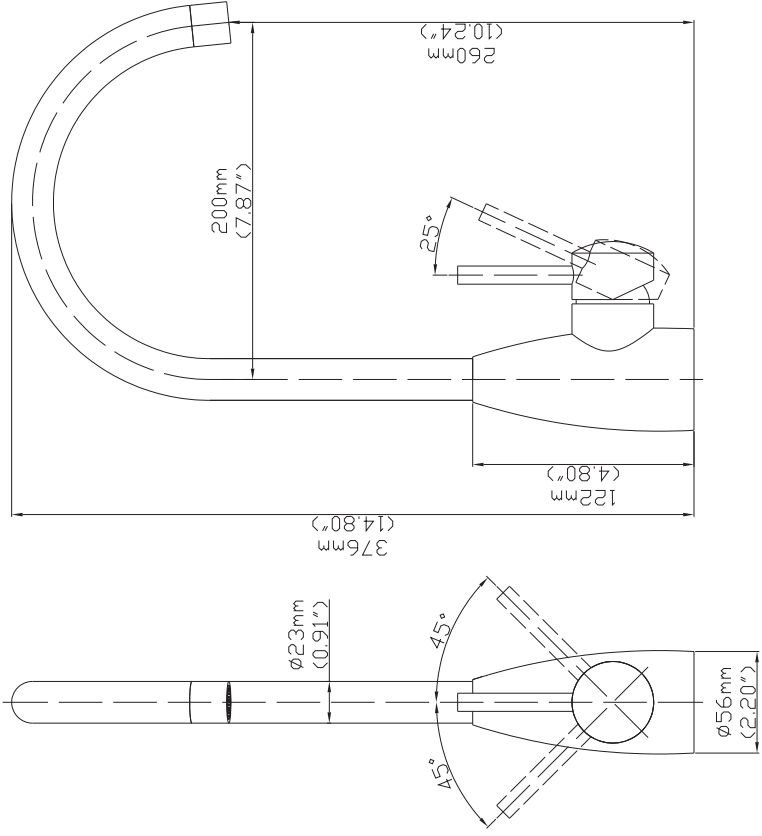
Keep this manual for ordering replacement parts.



NO NAME

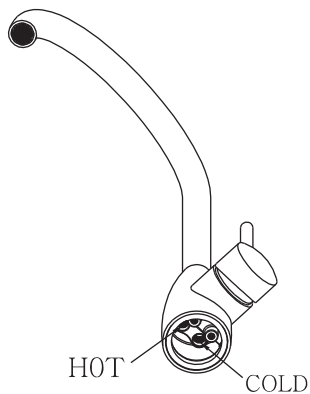
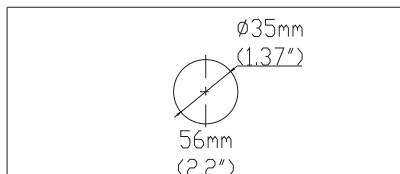
- 1 Water nozzle
- 2 Bubbler
- 3 Flat washer
- 4 Bent arm assembly
- 5 Guard ring
- 6 Plastic card ring
- 7 O ring
- 8 Plastic card ring
- 9 M4 inner angle screws
- 10 Main body
- 11 Valve
- 12 35valve gland
- 13 The 35valve cover
- 14 Handle cover
- 15 M4 inner angle screws
- 16 Handle lever
- 17 U type bottom glue
- 18 The fastening rubber
- 19 The fastening gasket
- 20 Fastening gasket
- 21 The fastening nut
- 22 Hose
- 23 Spanner for body
- 24 Spanner for aerator
- 25 Pouches

Product Dimension Drawing

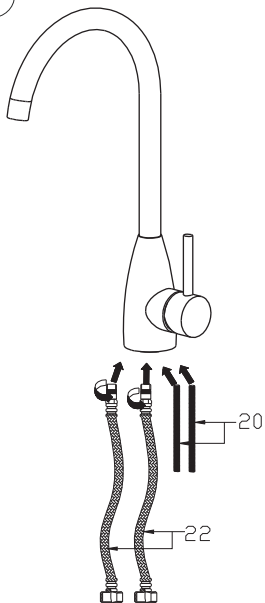


Faucet Installation Procedures

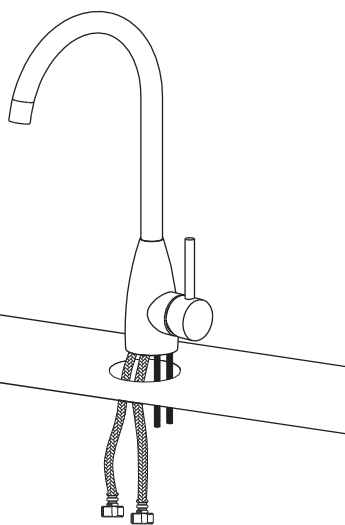
step ①



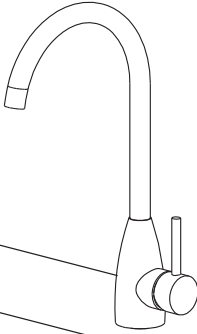
step ②



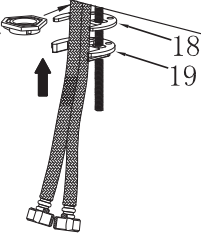
step ③



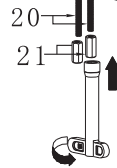
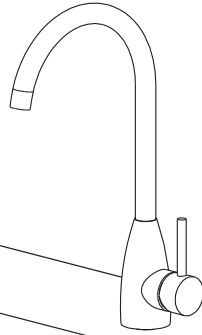
step ④



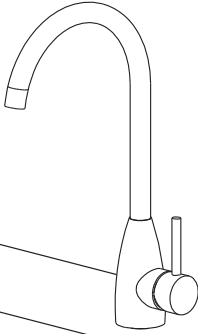
Add the part if the faucet is not firm on the worktop



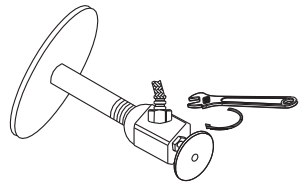
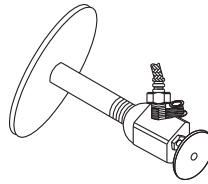
step ⑤



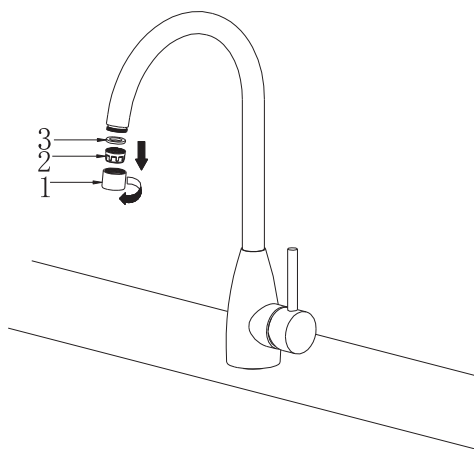
step ⑥



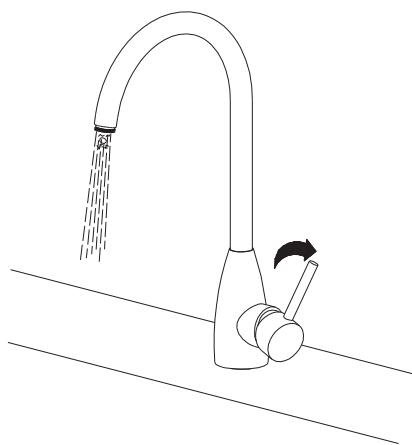
step ⑦



step ⑧



step ⑨



Notice:

Please removing all of the sand, silt and other things from the water hose before assembling, to avoid blocking the faucet and effecting water rate. Please use the special tools to disassemble it and wash with pneumatic equipment, if the faucet blocked.

step ⑩

