

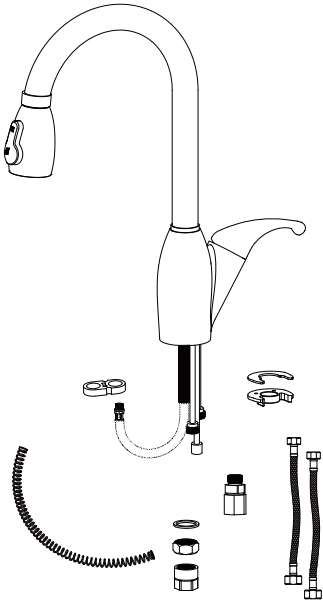
Installation Instruction

Single Handle Pull-down Kitchen Faucet

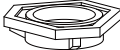


Before Your Installation

Check to make sure you have the following parts indicated below:



Tools You Will Need



Increase the high cushion



Adjustable wrench



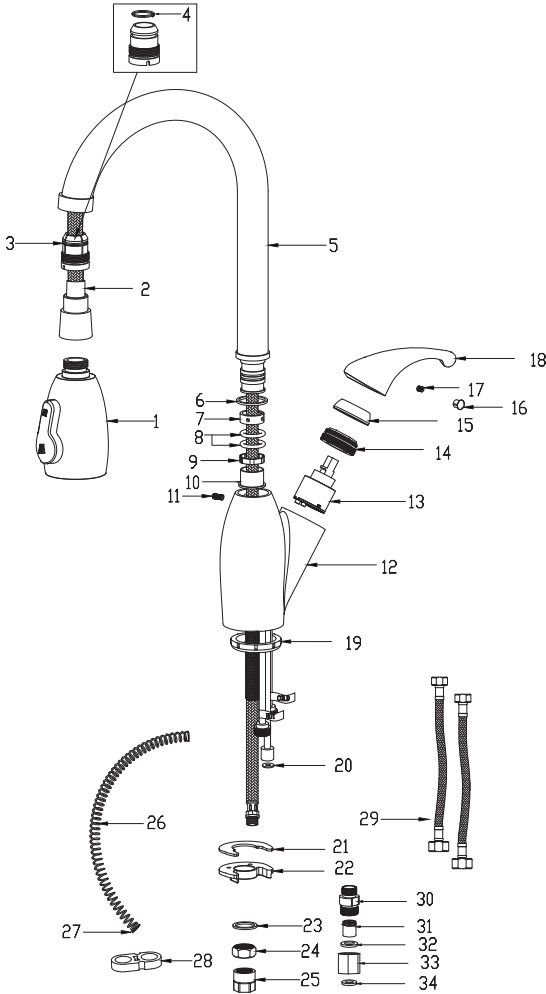
Spanner for body
(supplied)



Spanner for aerator
(supplied)

Replacement Parts

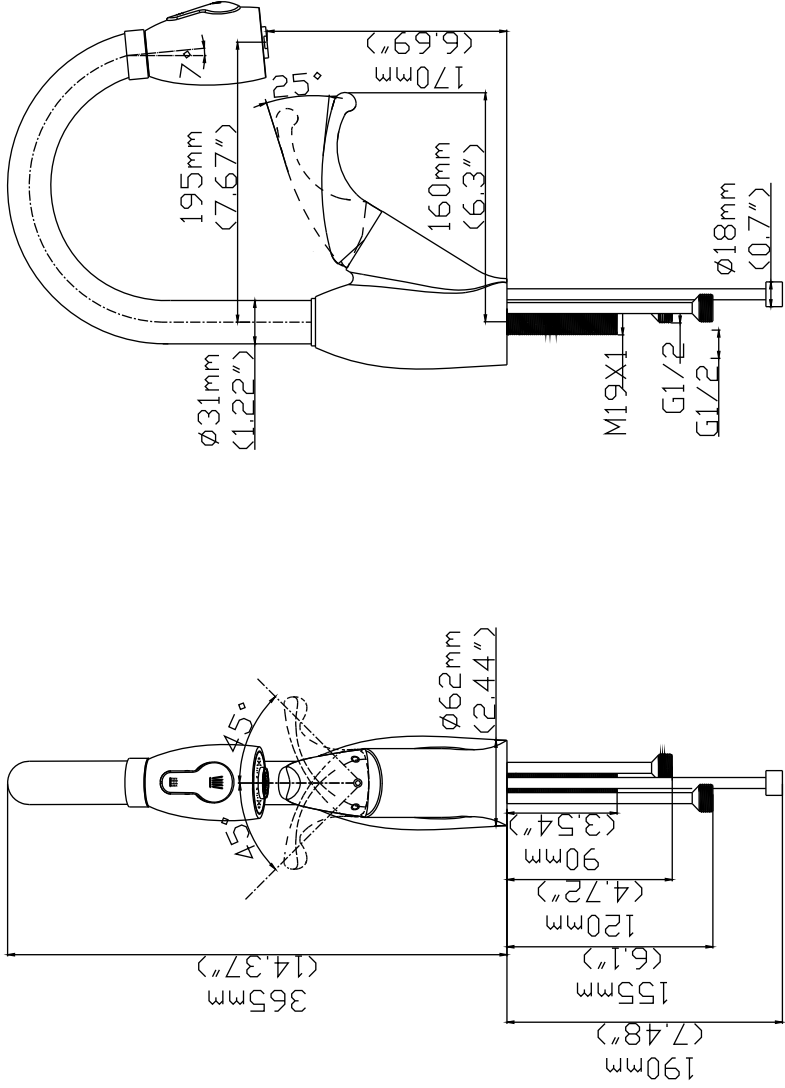
Keep this manual for ordering replacement parts.



NO NAME

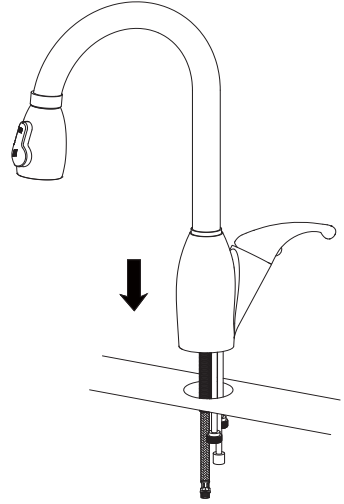
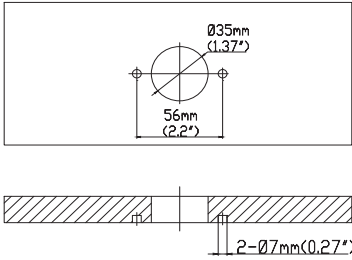
1. Sprayer
2. Black nylon hose
3. Locating sleeve
4. Steel ring
5. Spout
6. White ring
7. Sleeve
8. O-ring
9. Sleeve
10. Sleeve
11. M4 screw
12. Faucet body
13. Cartridge
14. Locking nut
15. Cartridge cover
16. Cover button
17. M6 screw
18. Handle
19. Bottom rubber
20. Flat gasket
21. Locking rubber
22. Locking gasket
23. Locking ring
24. Locking nut
25. M6 nut
26. Spring
27. Anti-friction sleeve
28. Plastic stop collar
29. Hose
30. Sleeve nut
31. Check valve
32. Flat gasket
33. Sleeve
34. Flat gasket

Product Dimension Drawing

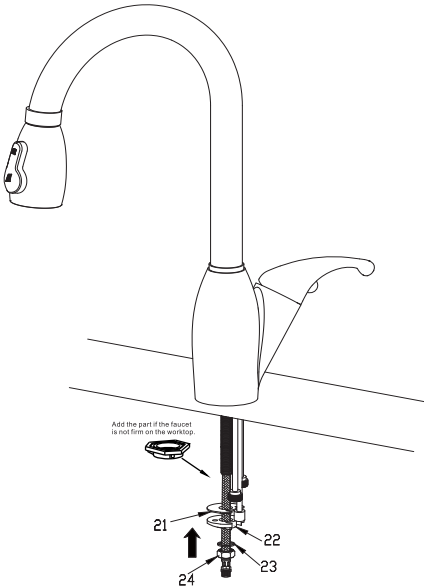


Faucet Installation Procedures

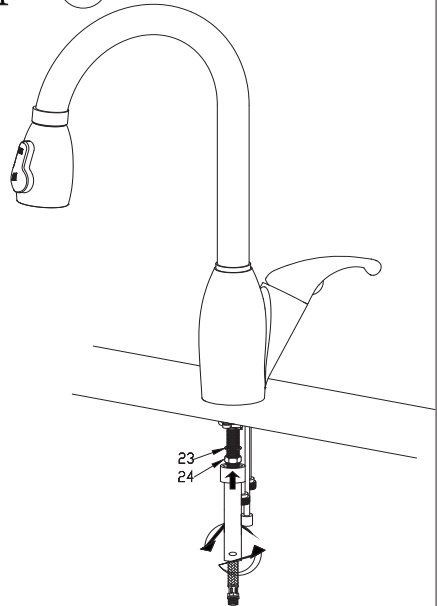
step ①



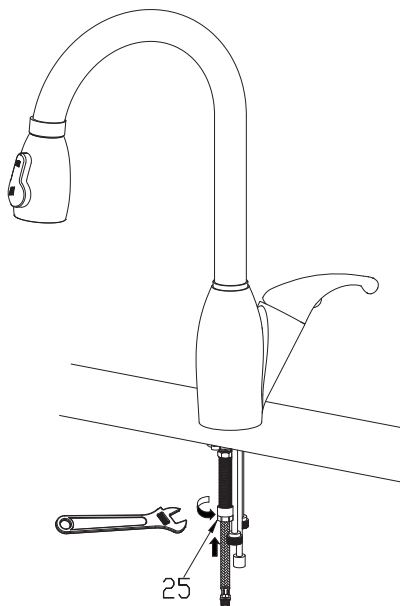
step ②



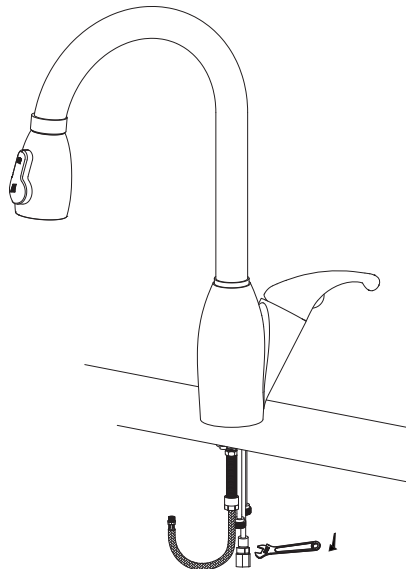
step ③



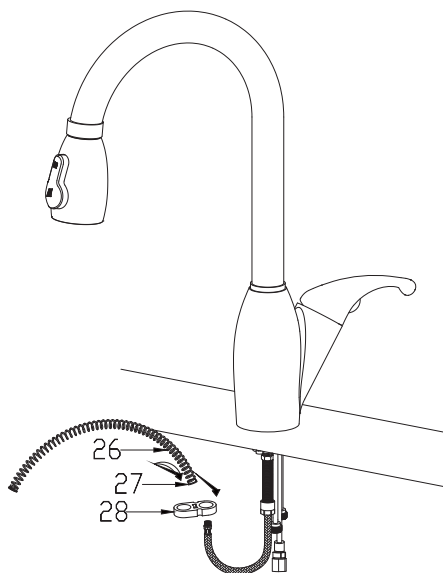
step ④



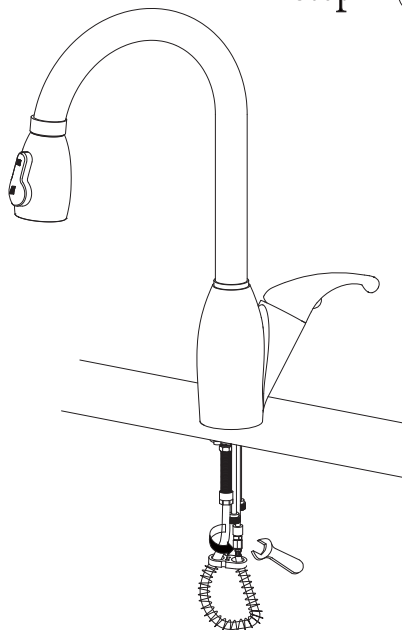
step ⑤



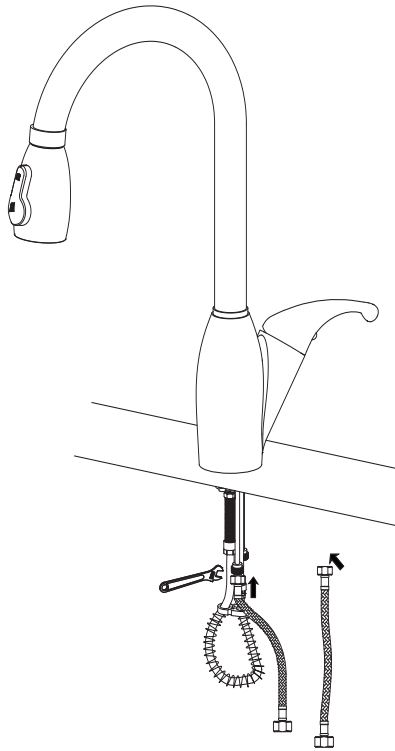
step ⑥



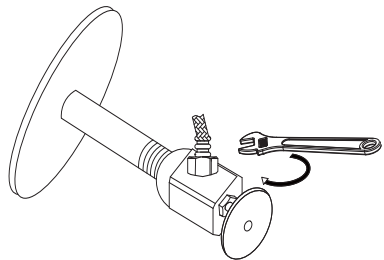
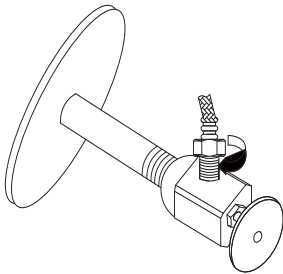
step ⑦



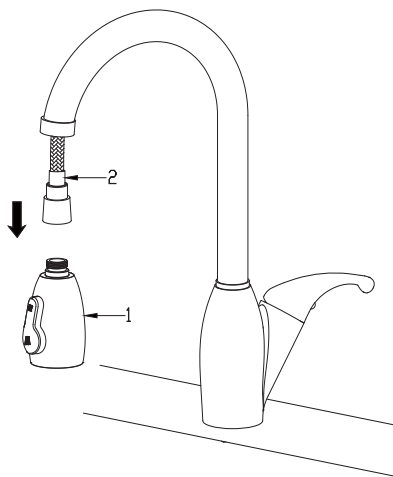
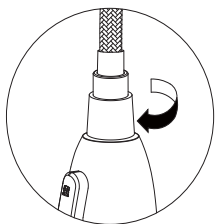
step ⑧



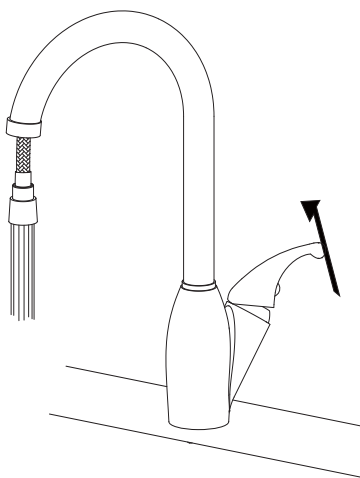
step ⑨



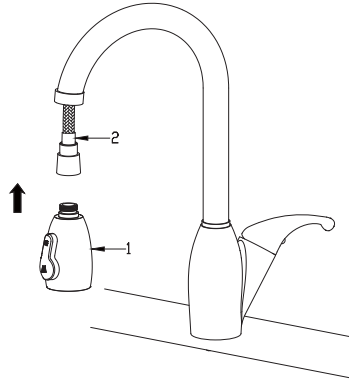
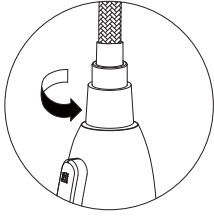
step ⑩



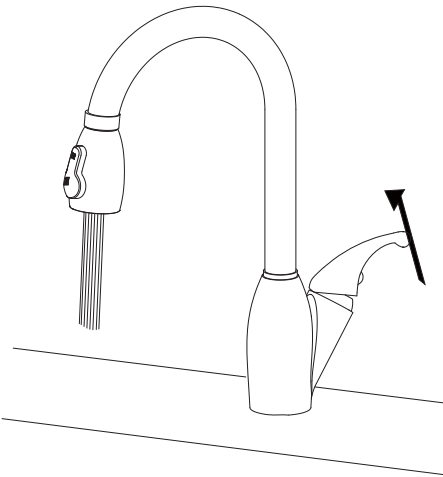
step ⑪



step 12



step 13



step 14

