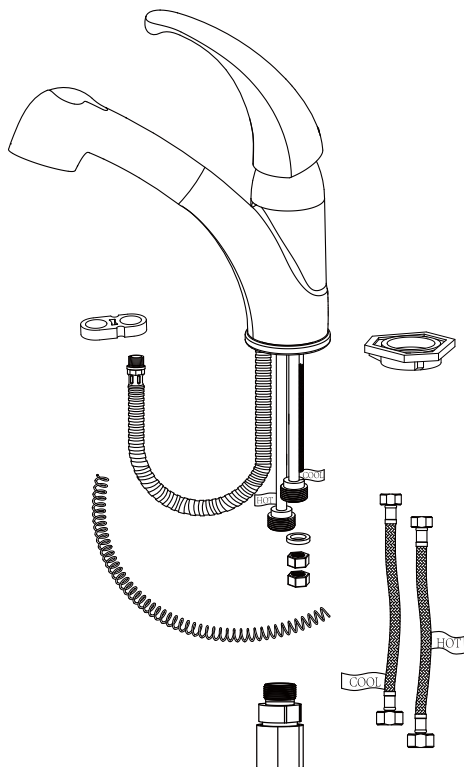


Installation Instruction

Single Lever Kitchen Faucet With Pull-out Sprayer

Before Your Installation

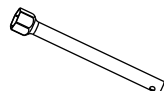
Check to make sure you have the following parts indicated below:



Tools You Will Need



Small spanner
(Supplied)



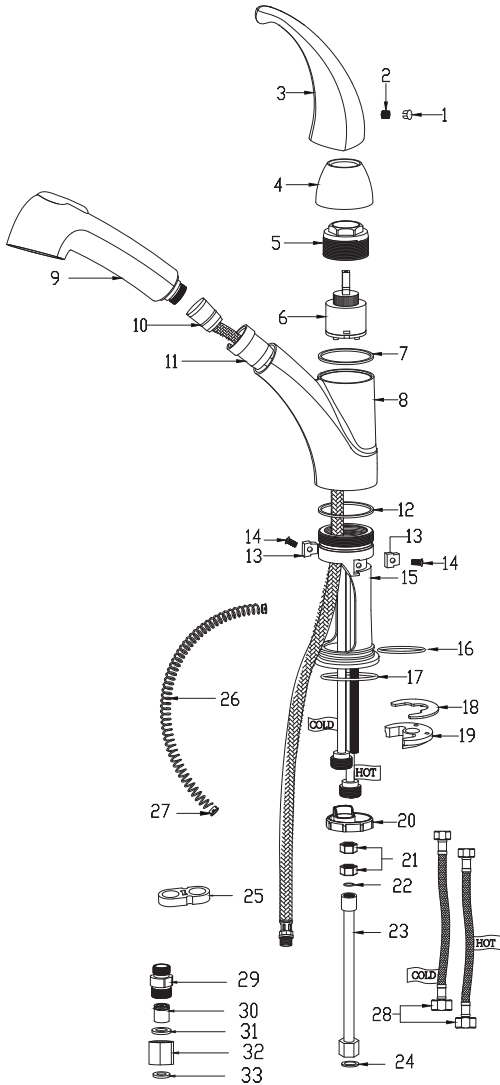
Tools for loosening
the hexagon nut
(supplied)



Adjustable wrench

Replacement Parts

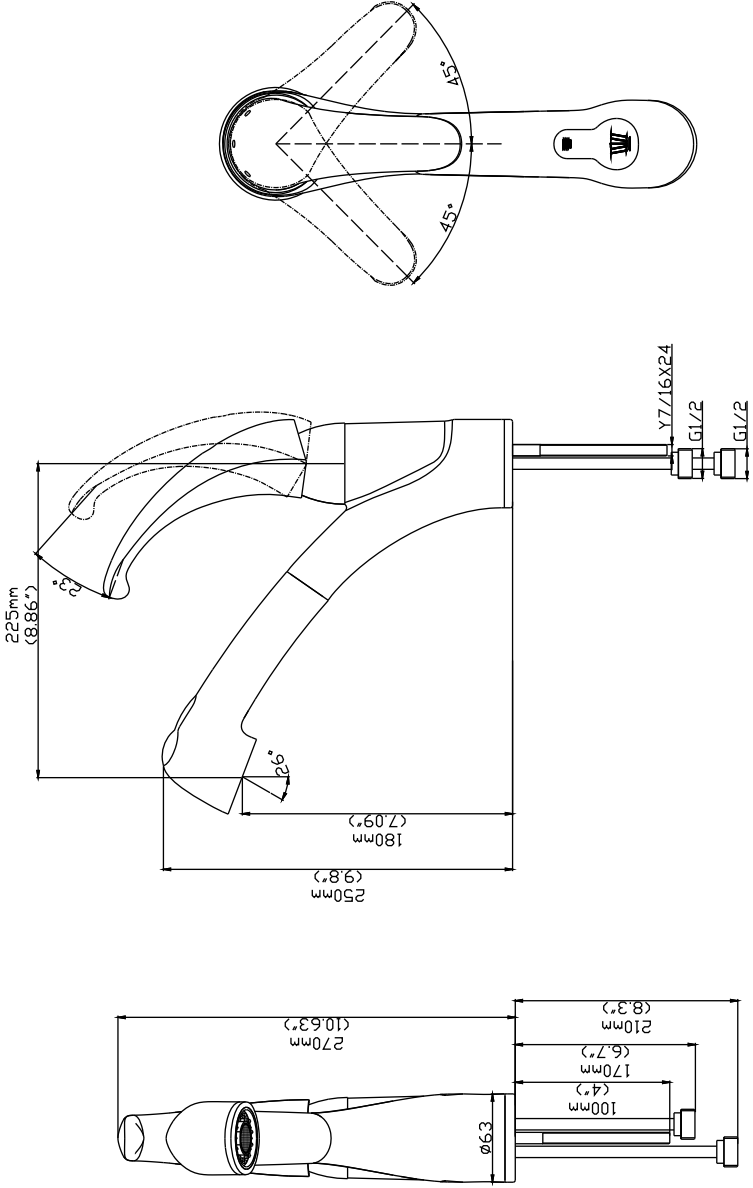
Keep this manual for ordering replacement parts.



NO NAME

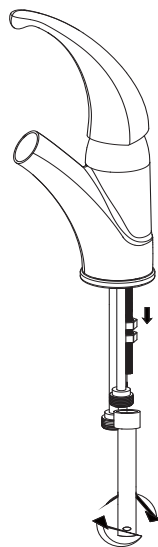
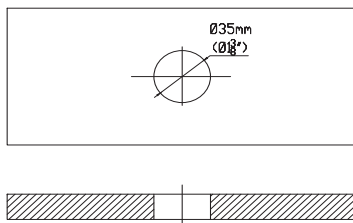
1. Cover button
2. M6 screw
3. Handle
4. Cartridge cover
5. Fastening nut
6. Cartridge
7. O-ring
8. Faucet body
9. Pull-out sprayer
10. Black nylon hose
11. Plastic sleeve
12. O-ring
13. Noise silencer
14. M4 screw
15. Faucet body
16. O-ring
17. O-ring
18. Fastening rubber
19. Fastening gasket
20. Plastic locating sleeve
21. Fastening nut
22. O-ring
23. Extending pipe
24. Flat gasket
25. Plastic stop collar
26. Spring
27. Anti-friction sleeve
28. hose
29. sleeve nut
30. check valve
31. Flat gasket
32. Nut
33. Flat gasket

Product Dimension Drawing

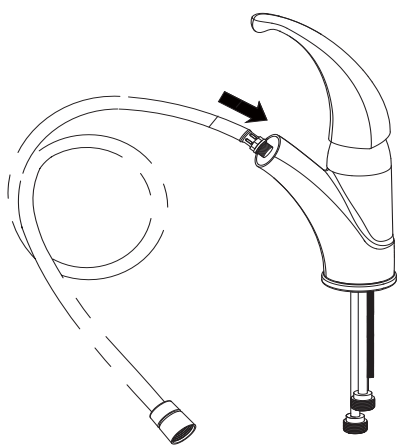


Faucet Installation Procedures

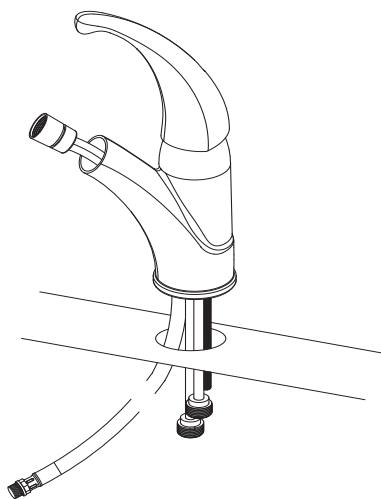
step ①



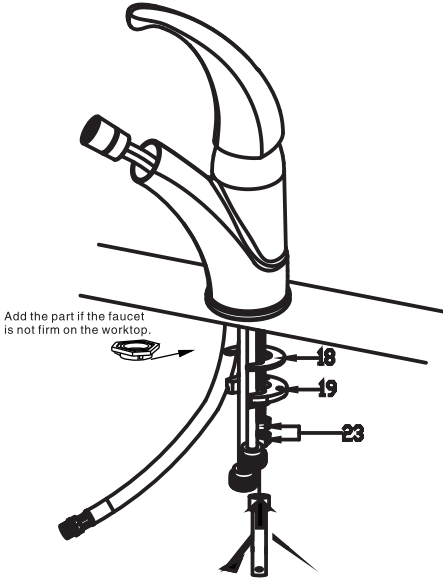
step ②



step ③

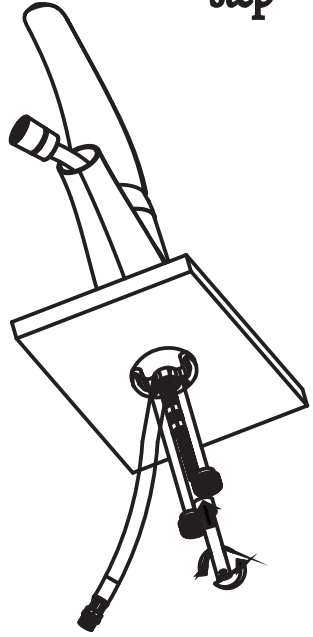


step ④

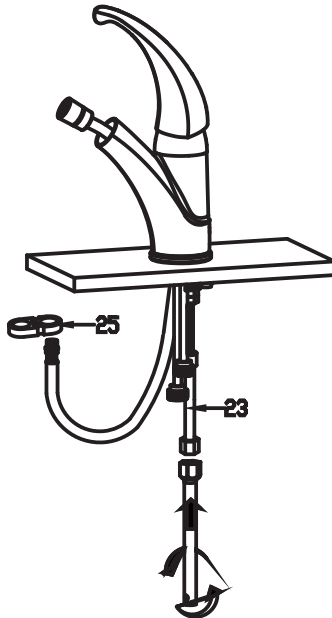


Add the part if the faucet is not firm on the worktop.

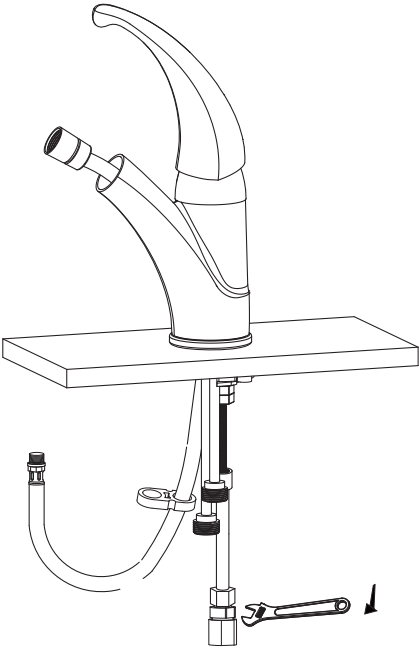
step ⑤



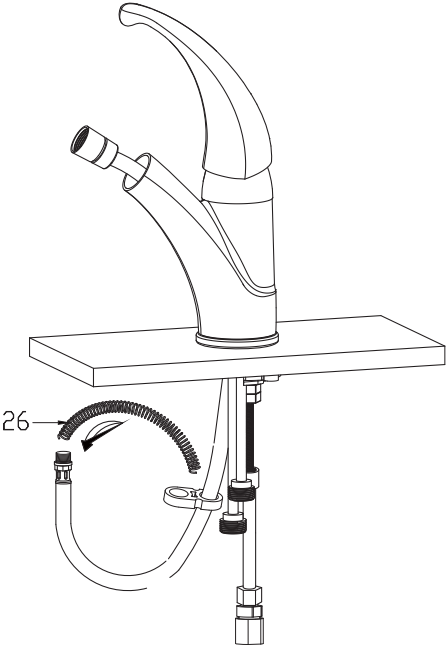
step ⑥



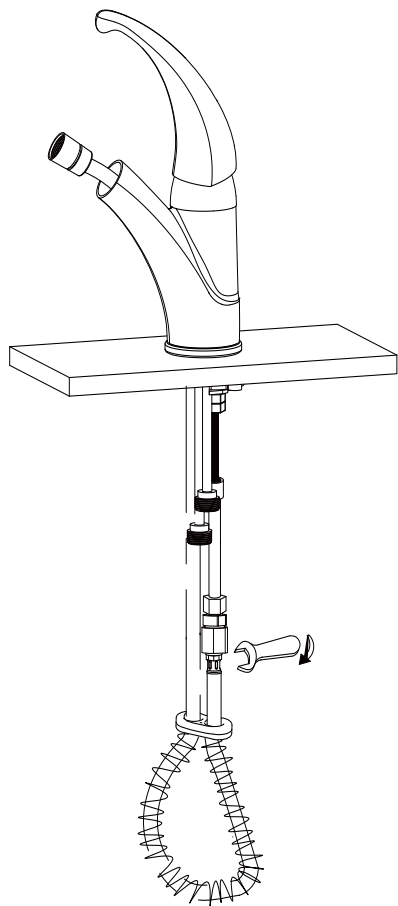
step ⑦



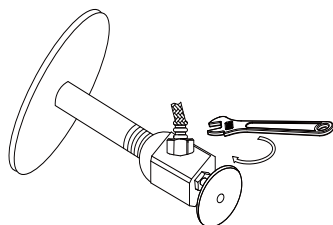
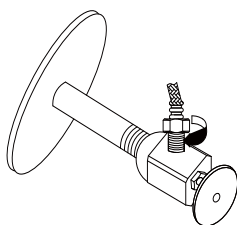
step ⑧



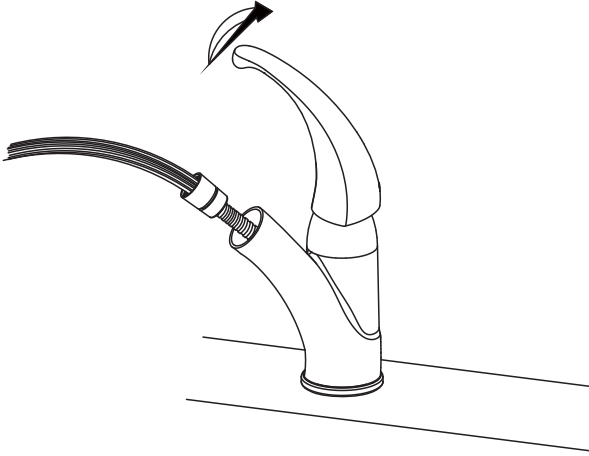
step 9



step 10



step ⑪



step ⑫

