

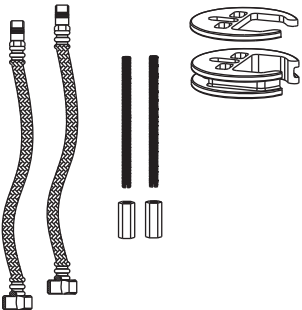
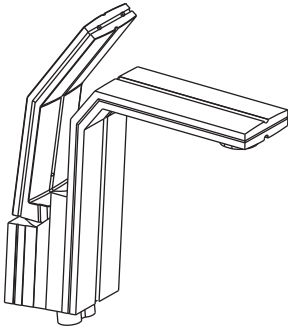
Installation Instruction

Stainless Steel Faucet



Before Your Installation

Check to make sure you have the following parts indicated below:



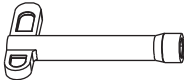
Tools You Will Need



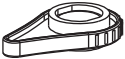
Adjustable wrench



Pipe tape (supplied)



Spanner for body (supplied)



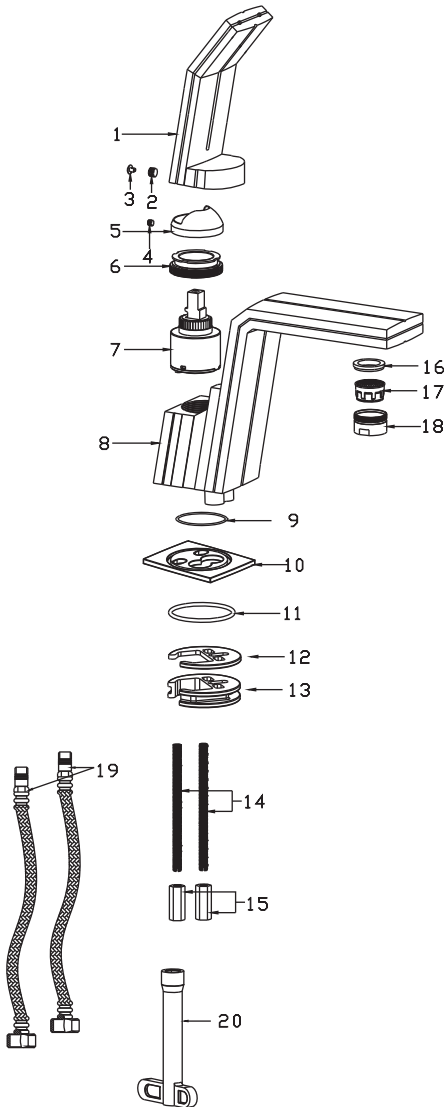
Spanner for aerator (supplied)



Phillips screwdriver

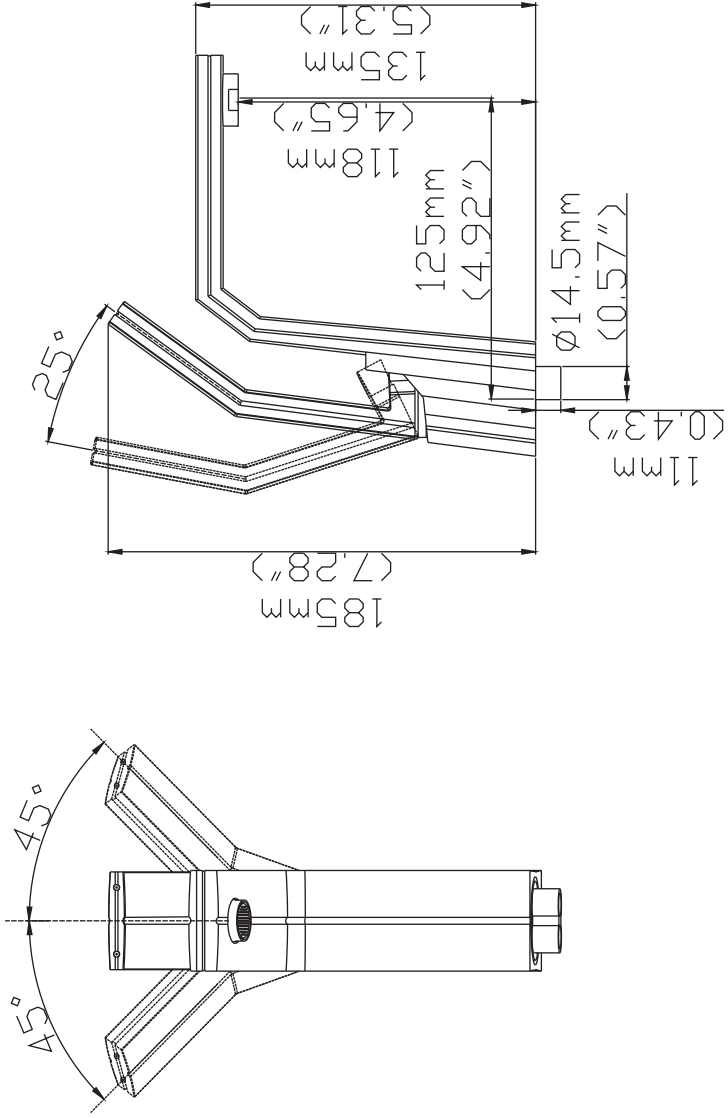
Replacement Parts

Keep this manual for ordering replacement parts.

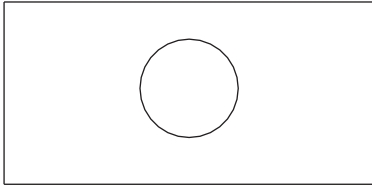
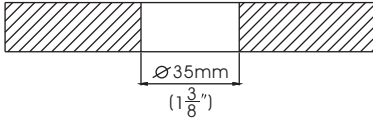


NO	NAME
1.	Handle
2.	Screw
3.	Cover cap
4.	Screw
5.	Cartridge holder
6.	Lock nut
7.	Cartridge
8.	Faucet body
9.	O-ring
10.	Underlay
11.	O-ring
12.	Rubber gasket
13.	Stainless gasket
14.	Lock screw
15.	Lock nut
16.	Gasket
17.	Aerator
18.	Aerator holder
19.	Hose
20.	Spanner

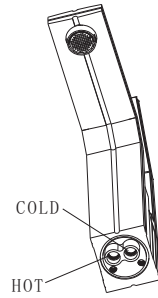
Product Dimension Drawing



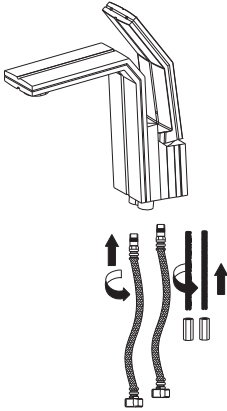
Faucet Installation Procedures



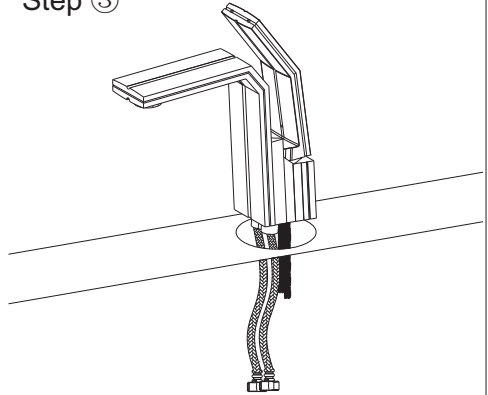
Step ①



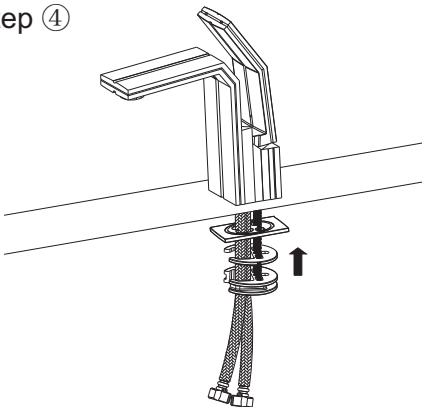
Step ②



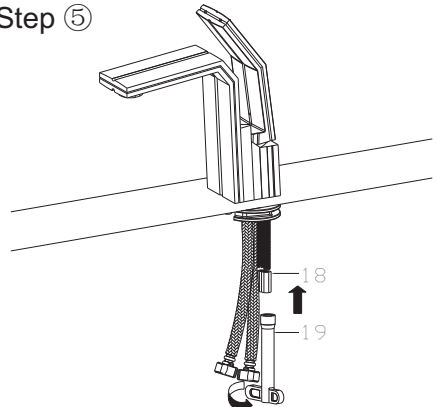
Step ③



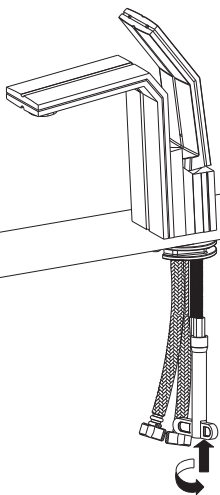
Step ④



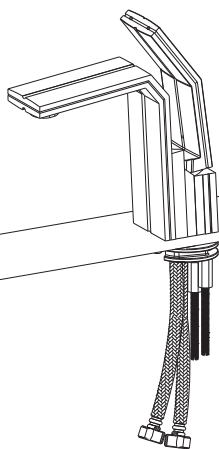
Step ⑤



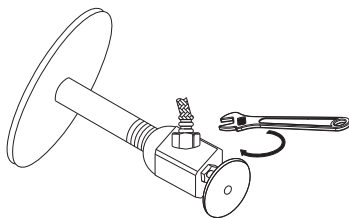
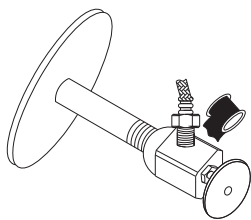
Step ⑥



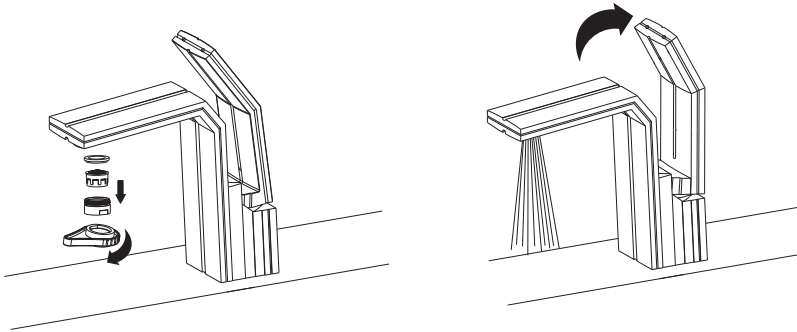
Step ⑦



Step ⑧



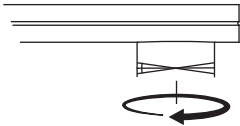
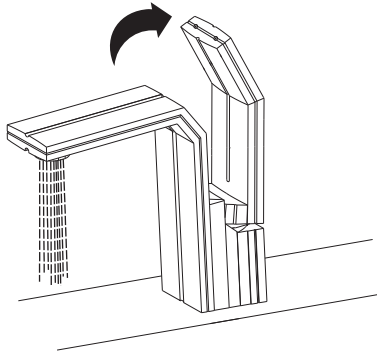
Step ⑨



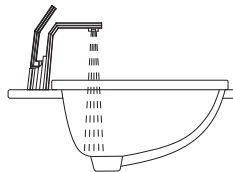
Notice:

Please removing all of the sand, silt and other things from the water hose before assembling, to avoid blocking the faucet and effecting water rate. Please use the special tools to disassemble it and wash with pneumatic equipment, if the faucet blocked.

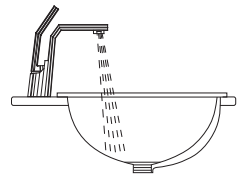
Step ⑩



The product adopts Swiss Neoperl rotatable aerator. The angle of the water stream can be adjusted with an inclination angle of 7° directly at the aerator—simply by moving the adjustable tilting plate which can be rotated 360° as well.



Apply to undermount washbasin (semi-round).



Apply to undermount washbasin (round)