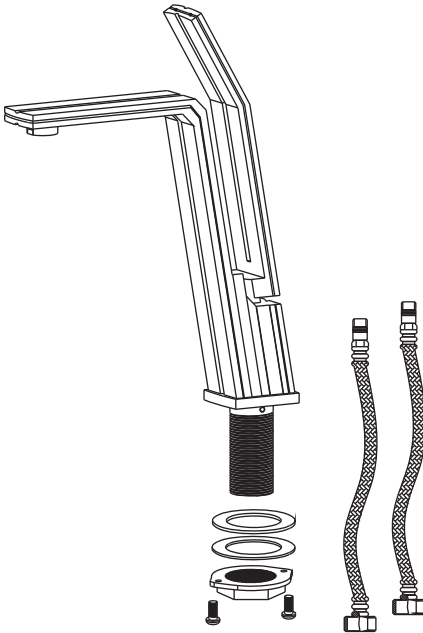


Installation Instruction

Stainless Steel Faucet

Before Your Installation

Check to make sure you have the following parts indicated below:



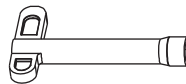
Tools You Will Need



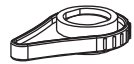
Adjustable wrench



Pipe tape
(supplied)



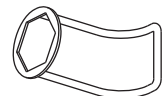
Spanner for body
(supplied)



Spanner for aerator
(supplied)



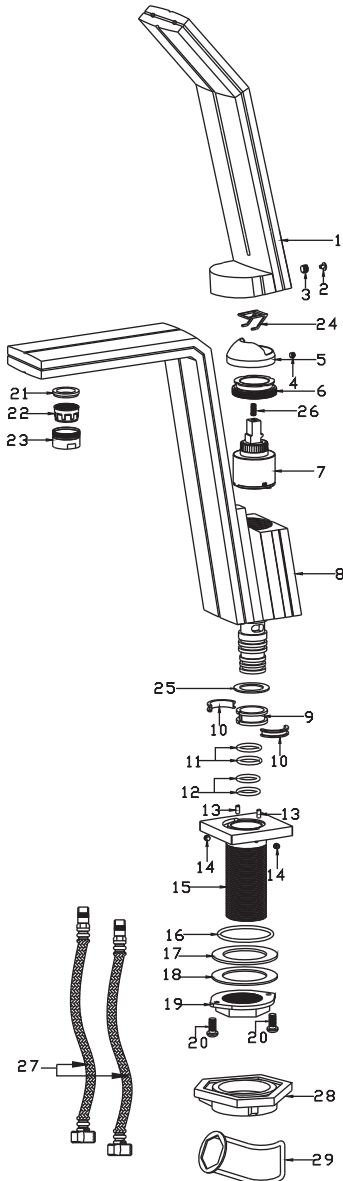
Phillips screwdriver



Spanner for
strengthening part
(supplied)

Replacement Parts

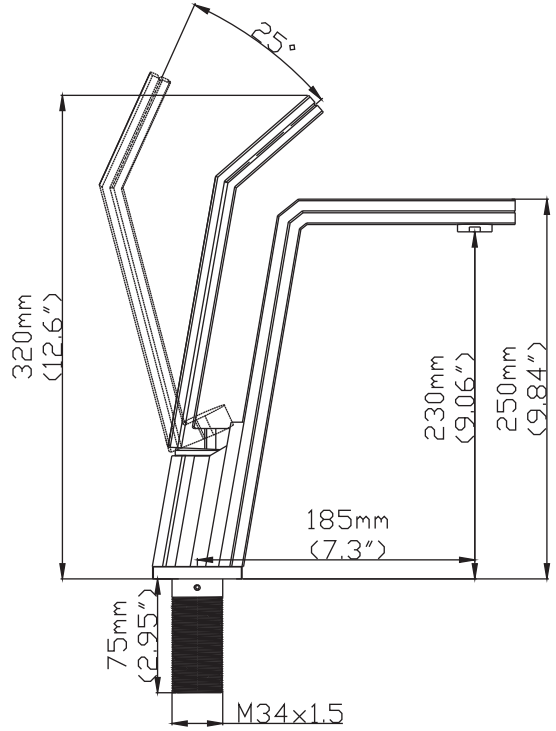
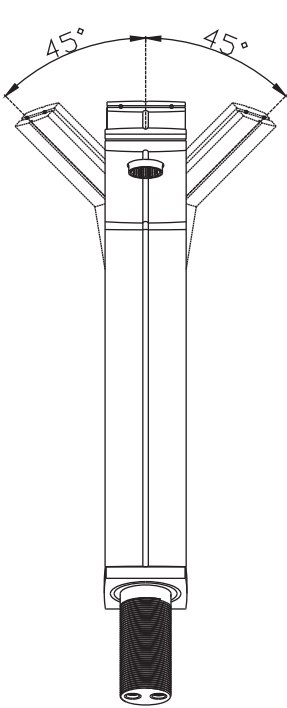
Keep this manual for ordering replacement parts.



NO NAME

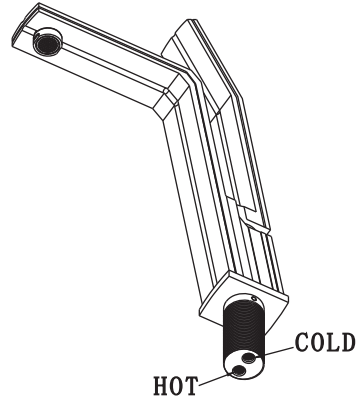
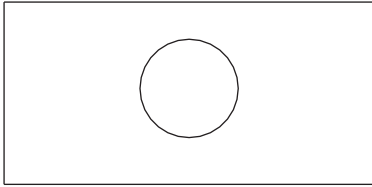
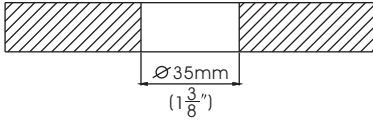
1. Handle
2. Screw
3. Cover cap
4. Screw
5. Cartridge holder
6. Lock nut
7. Cartridge
8. Faucet body
9. Antifriction cover
10. Fixed steel cover
11. O-ring
12. O-ring
13. Plastic nail
14. Screw
15. Loose joint pedestal
16. O-ring
17. Gasket
18. S/S gasket
19. Hexagon nut
20. Screw
21. Gasket
22. Aerator
23. Aerator holder
24. Stretch gasket
25. Anti-friction gasket
26. Screw
27. Hose
28. Strengthening part
29. Spanner

Product Dimension Drawing

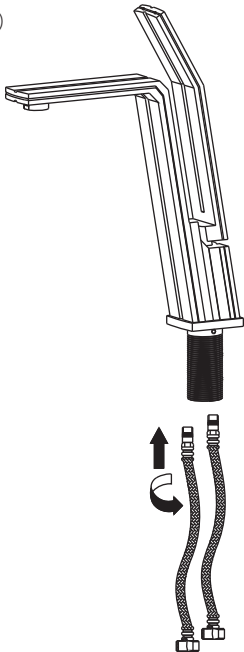


Faucet Installation Procedures

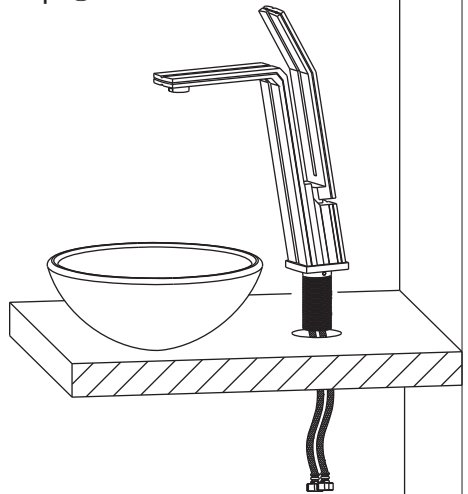
Step ①



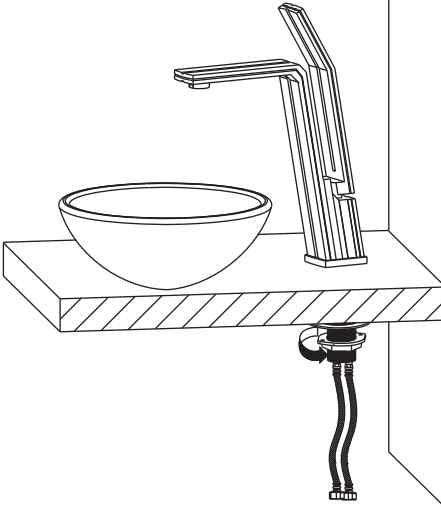
Step ②



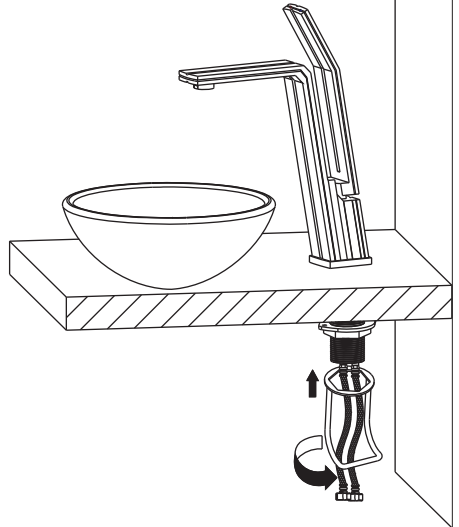
Step ③



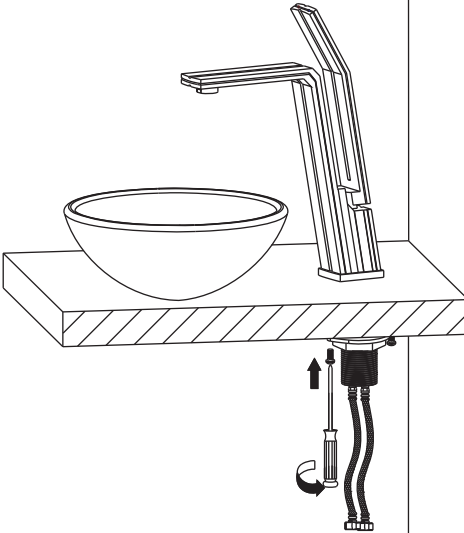
Step ⑥



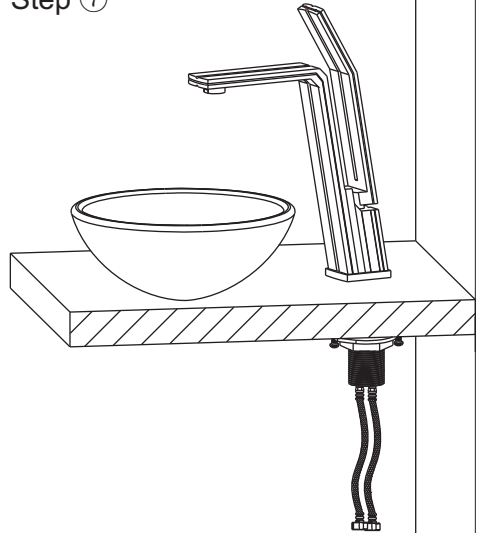
Step ⑦



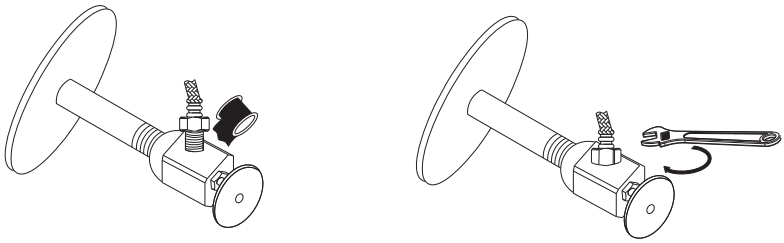
Step ⑧



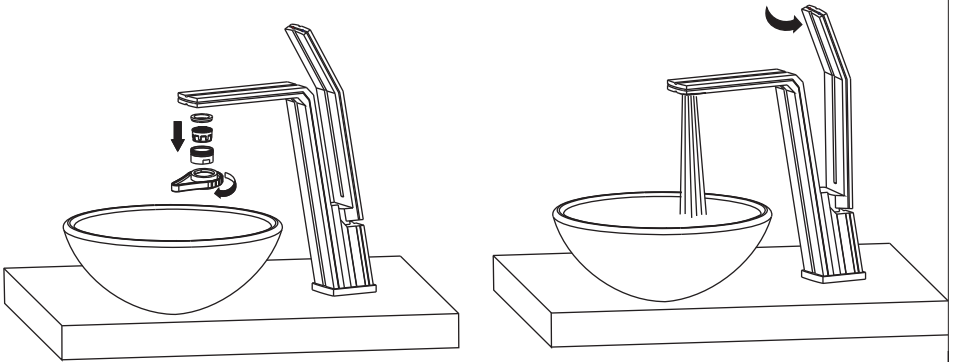
Step ⑦



Step ⑥



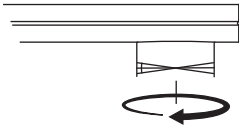
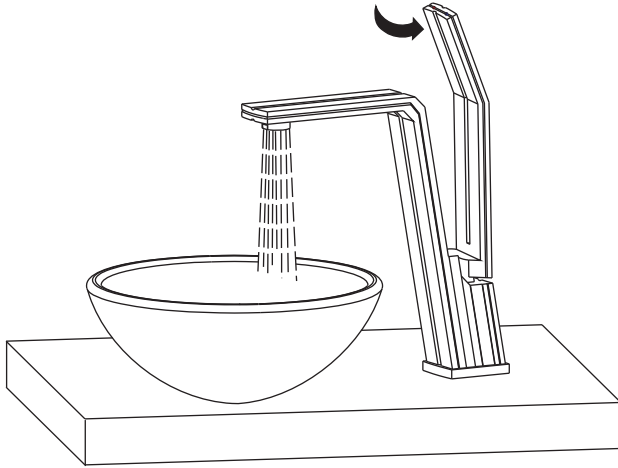
Step ⑧



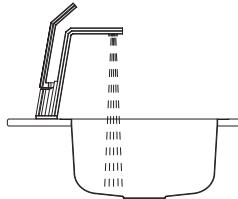
Notice:

Please removing all of the sand, silt and other things from the water hose before assembling, to avoid blocking the faucet and effecting water rate. Please use the special tools to disassemble it and wash with pneumatic equipment, if the faucet blocked.

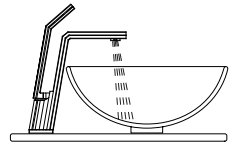
Step ⑨



The product adopts Swiss Neoperl rotatable aerator. The angle of the water stream can be adjusted with an inclination angle of 7 directly at the aerator—simply by moving the adjustable tilting plate which can be rotated 360 as well.



Apply to undermount sink



Apply to covermount washbasin

