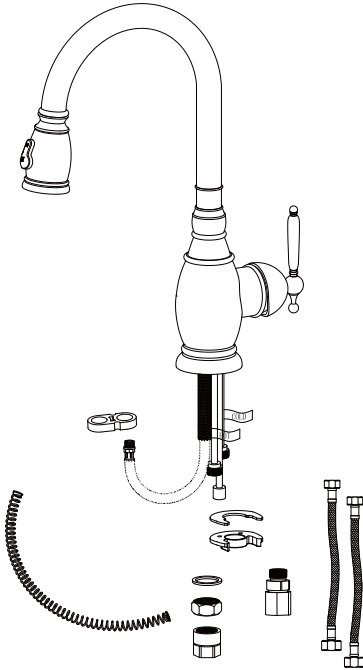


Installation Instruction

Single Handle Pull-down Kitchen Faucet

Before Your Installation

Check to make sure you have the following parts indicated below:



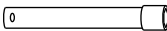
Tools You Will Need



Spanner for aerator (supplied)



Adjustable wrench



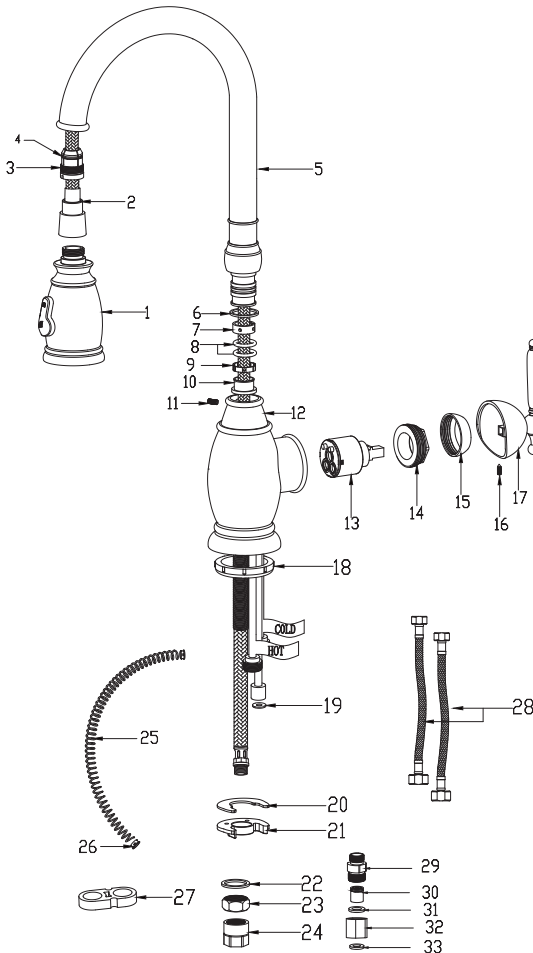
Spanner for body (supplied)



Increase the high cushion

Replacement Parts

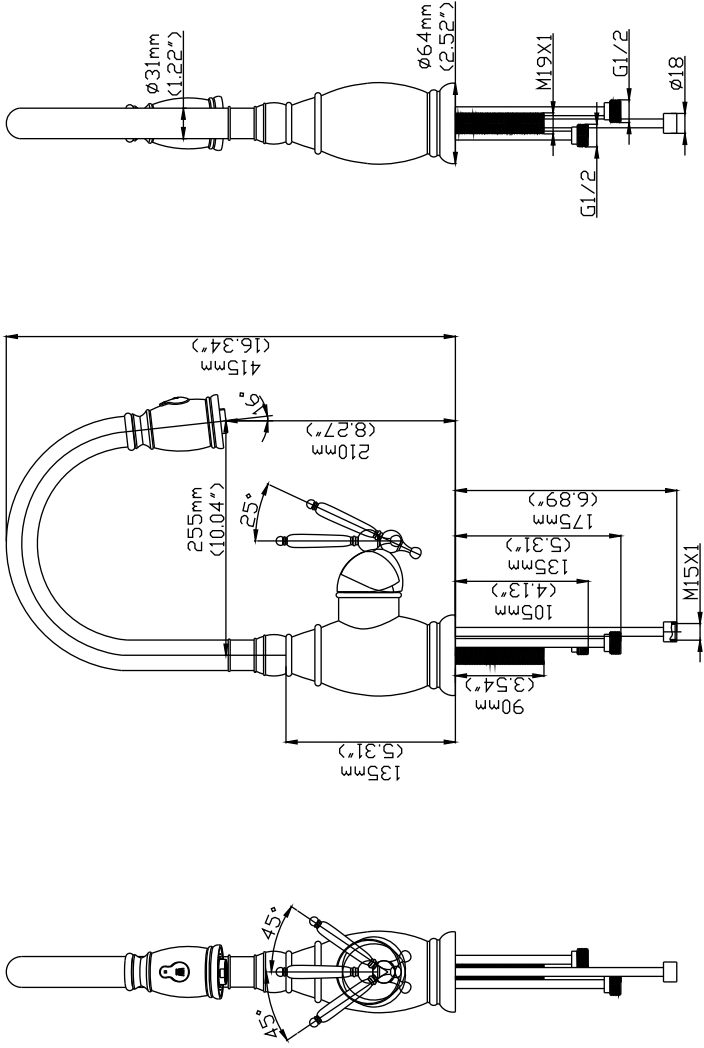
Keep this manual for ordering replacement parts.

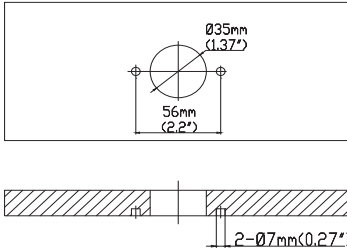


NO NAME

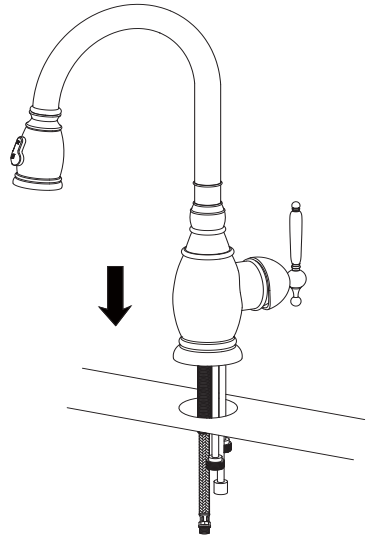
1. Sprayer
2. Nylon hose
3. Plastic cover
4. Spring ring
5. Spout
6. Anti-friction gasket
7. Plastic cover
8. O-ring
9. Plastic cover
10. Noise muffler
11. Screw
12. Faucet body
13. Cartridge
14. Lock nut
15. Cartridge holder
16. Screw
17. Handle
18. Bottom plastic
19. Flat gasket
20. Rubber gasket
21. Stainless steel gasket
22. Steel gasket
23. Hexagon nut
24. Plastic nut
25. Spring
26. Anti-friction cover
27. Spring holder
28. Hose
29. The outer sleeve
30. Check valve
31. Flat washer
32. Casing
33. Flat washer

Product Dimension Drawing

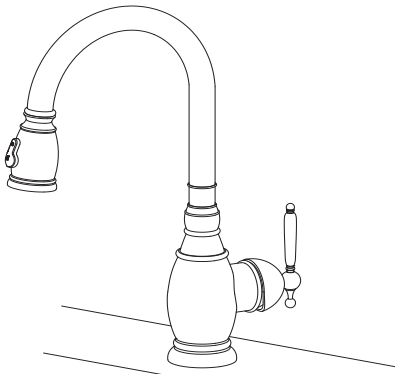




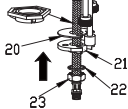
step ①



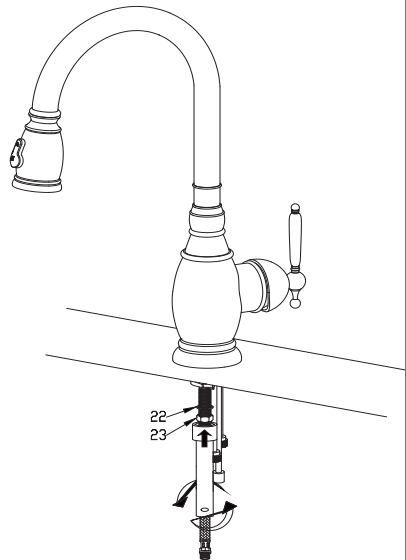
step ②



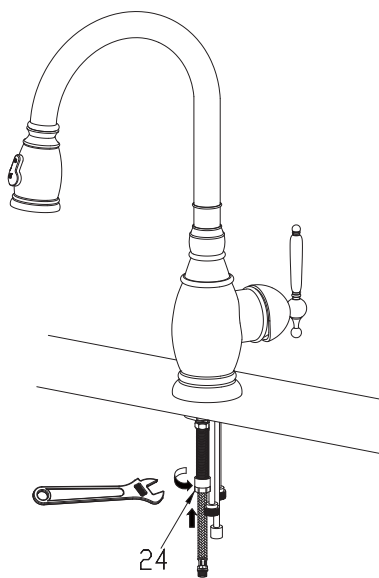
Add the part if the faucet is not firm on the worktop.



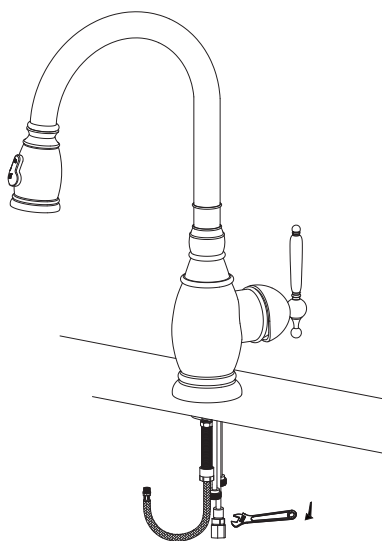
step ③



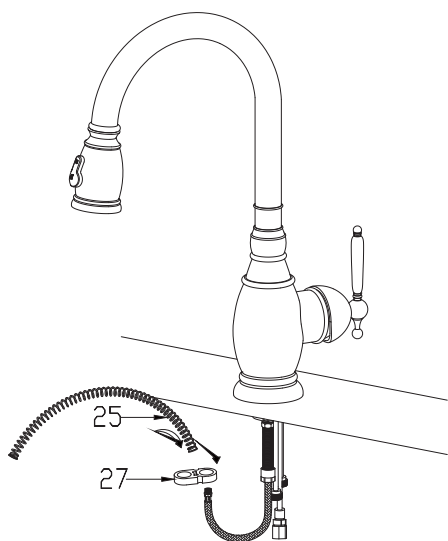
step ④



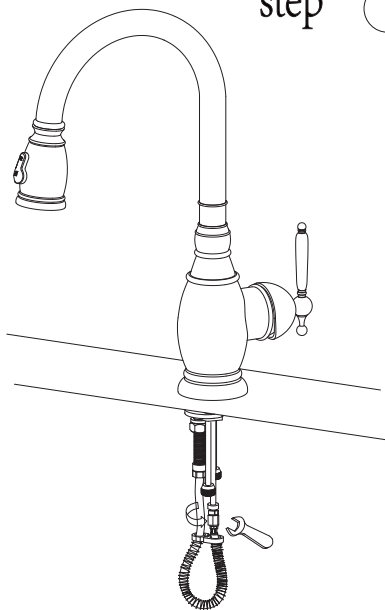
step ⑤



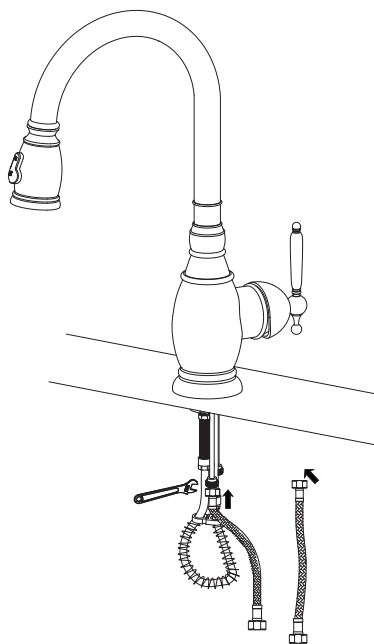
step ⑥



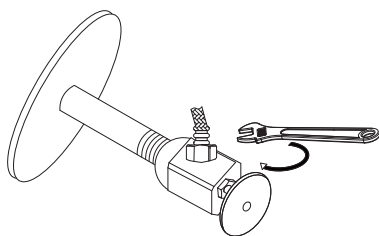
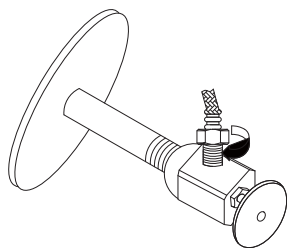
step ⑦



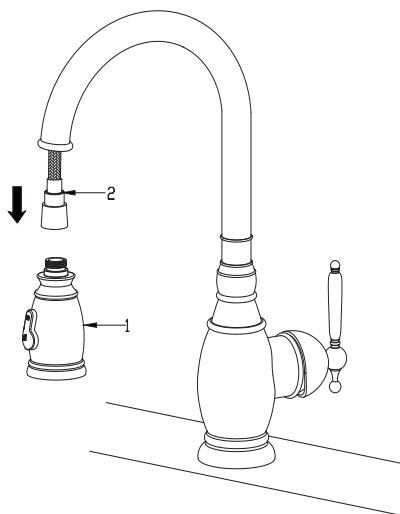
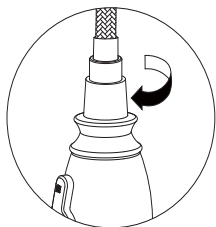
step ⑧



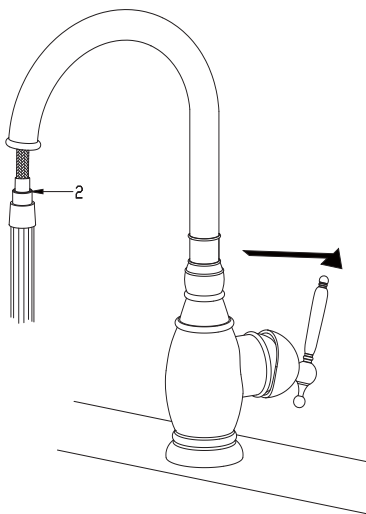
step ⑨



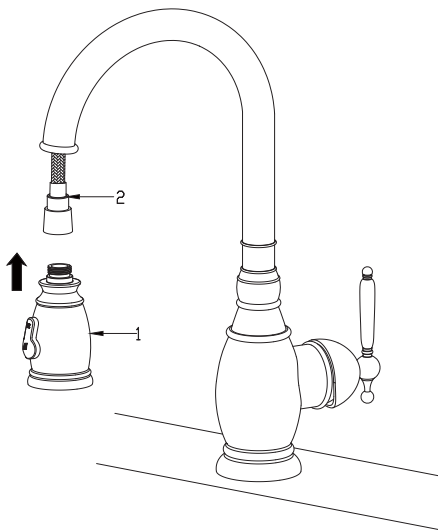
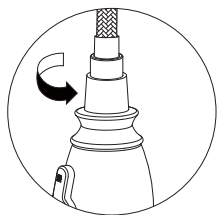
step 10



step 11



step 12



step 13

