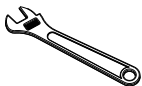


Installation Instruction

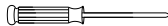
Single Handle Pull-down Kitchen Faucet



Tools You Will Need

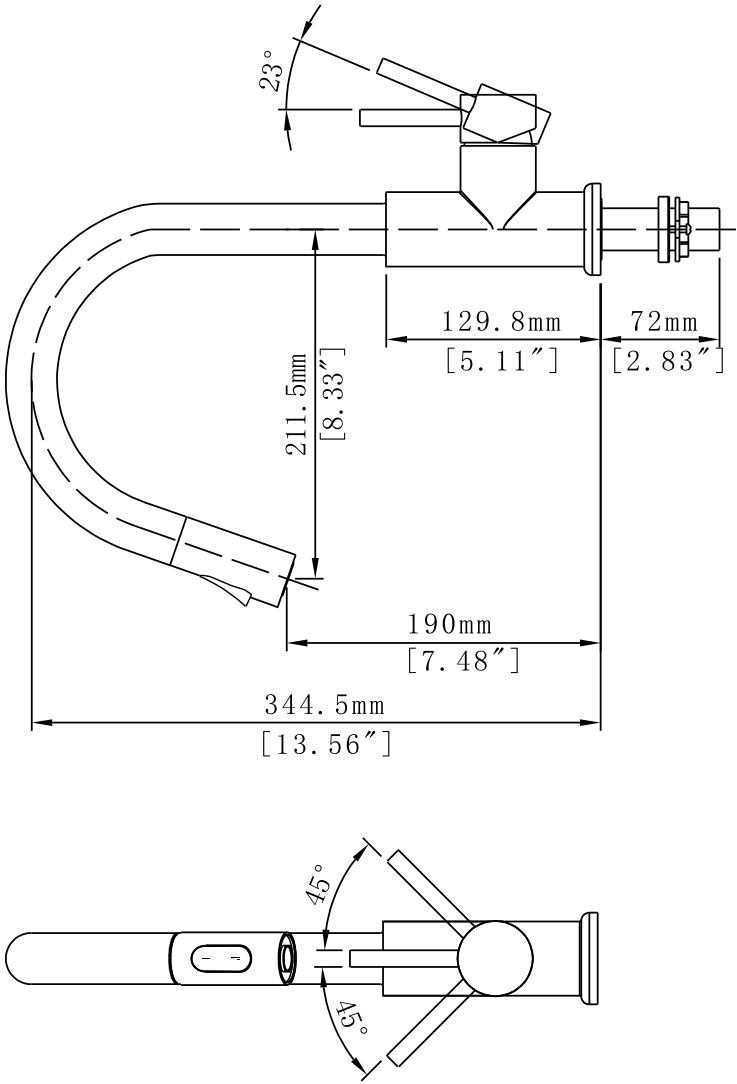


Adjustable wrench



Phillips screwdriver

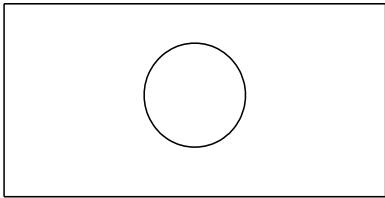
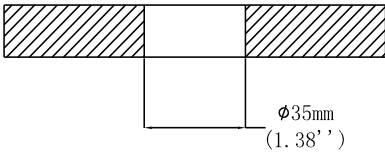
Product Dimension Drawing



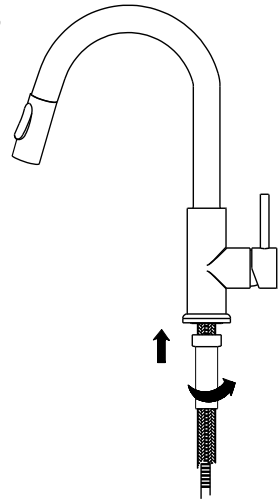
Prior to Installation

Make sure all pre-installed lines(parts #11-12) are tightly screwed into the faucet.

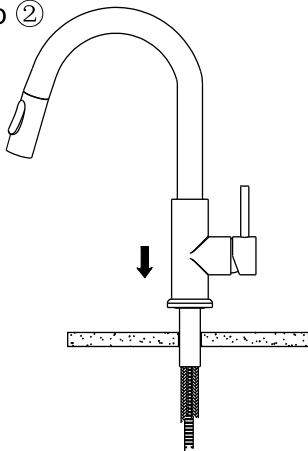
Faucet Installation Procedures



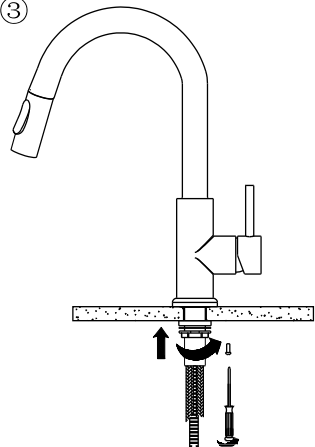
Step ①



Step ②



Step ③



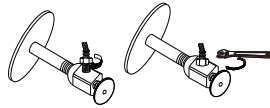
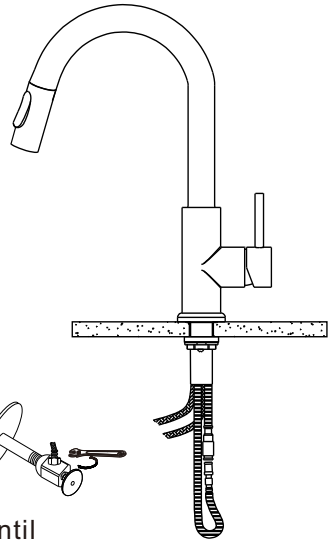
Step ④ Important

Run water out of Hot and Cold angle valves to flush debris before connecting the water supply lines(#11).Place a bucket under the valve.

When valve is turned on water will shoot up. Cup over the valve opening so water will fall into the bucket.

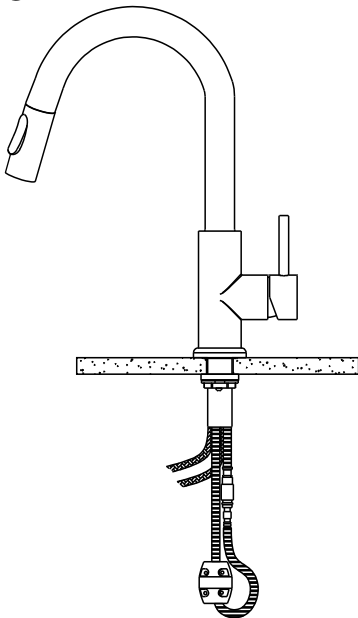
Make sure O-ring is in the end of the pre-installed Hot and Cold water lines.

Connect Hot & Cold water lines to angle valves. Tighten securely, but do not overtighten.



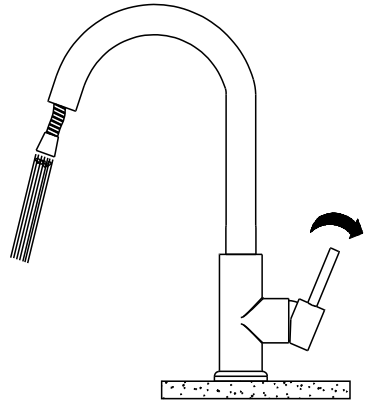
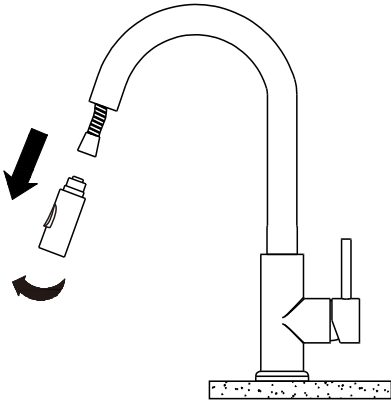
Connect spray hose to quick-connection hose until you hear “click”. The tip of the quick-connection should spring back to original position. Test by pulling both ends to make sure they do not separate.

Step ⑤

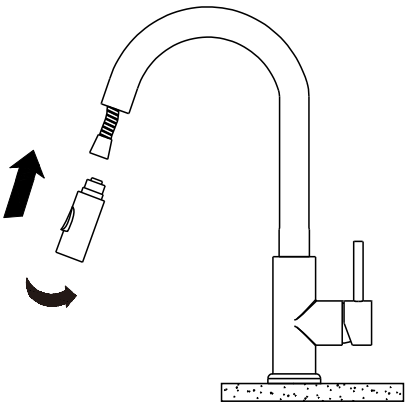


Install weight(part #25) at the lowest point on the pull out hose (part #1) as shown on diagram. Tighten screws on weight with Phillips screwdriver.

Step ⑥



Step ⑦



Step ⑧

