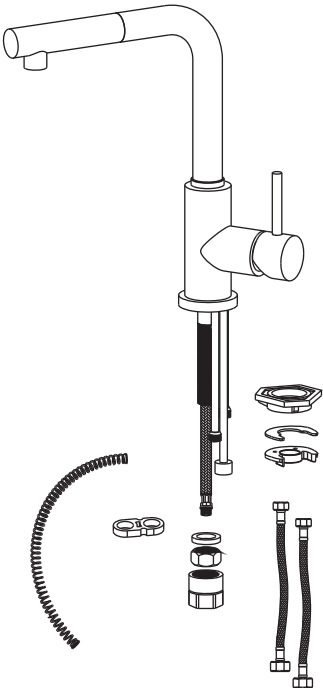


Installation Instruction

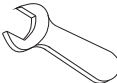
Single Handle Pull-down Kitchen Faucet

Before Your Installation

Check to make sure you have the following parts indicated below:



Tools You Will Need



Adjustable wrench



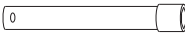
Adjustable wrench



Phillips screwdriver



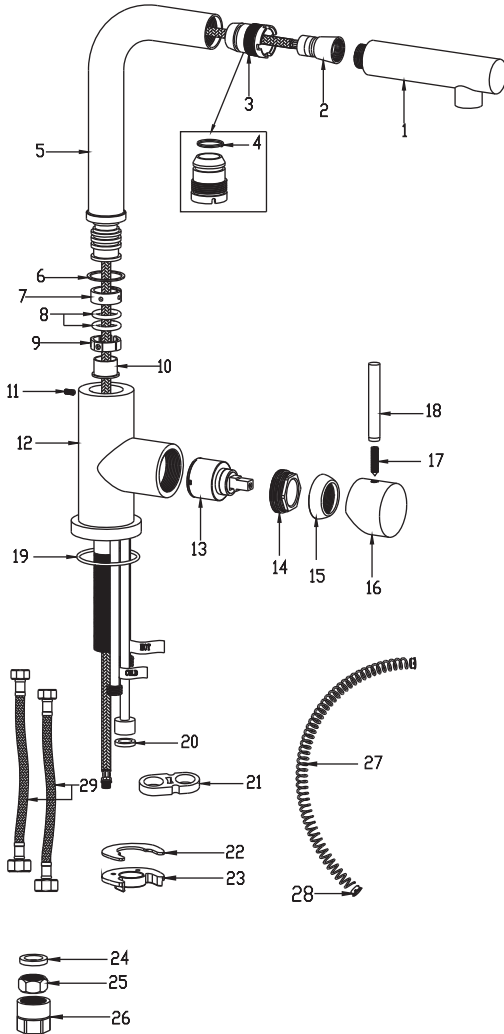
Spanner for aerator (supplied)



Spanner for body (supplied)

Replacement Parts

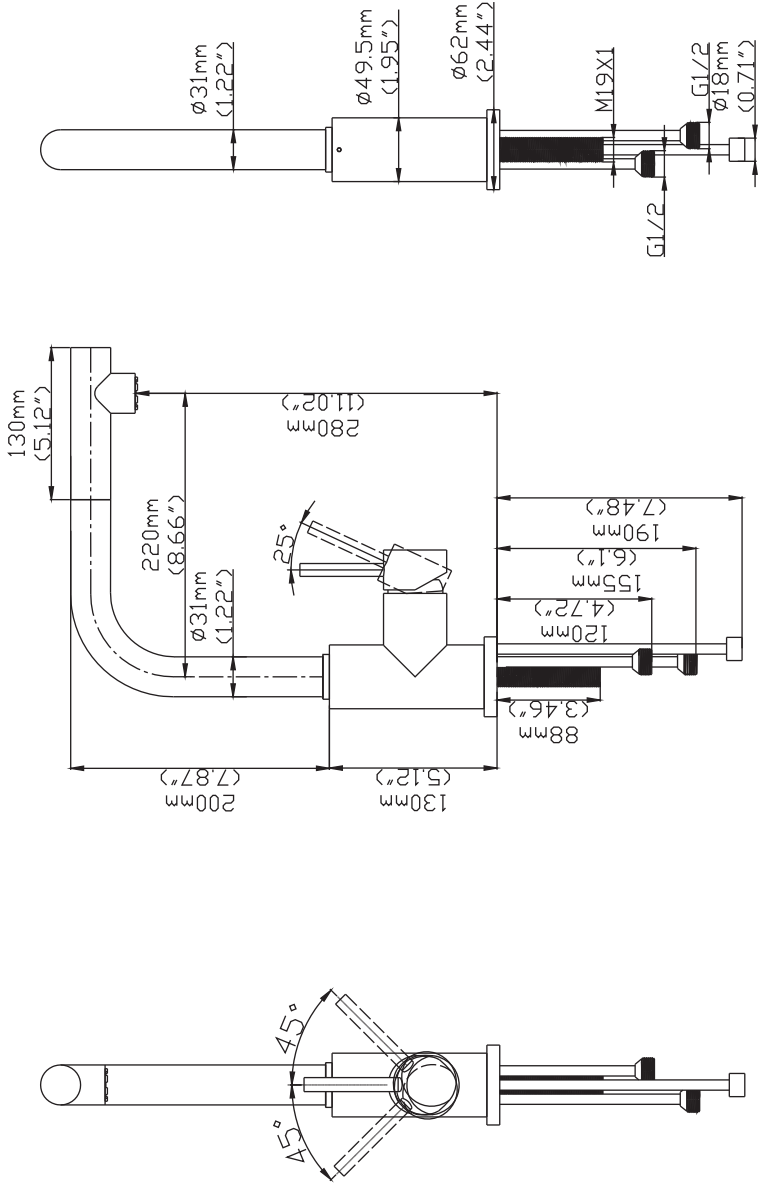
Keep this manual for ordering replacement parts.



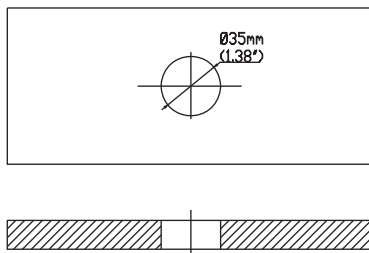
NO NAME

1. Nozzle
2. Hose
3. plastic cover
4. Spring ring
5. Spout
6. Anti-friction gasket
7. Plastic cover
8. O-ring
9. Plastic cover
10. Noise muffler
11. Screw
12. Faucet body
13. Cartridge
14. Lock nut
15. Cartridge holder
16. Handle body
17. Screw
18. Knob
19. O-ring
20. Flat gasket
21. Spring holder
22. Rubber gasket
23. Stainless steel gasket
24. Gasket
25. Hexagon nut
26. Plastic nut
27. Spring
28. Anti-friction cover
29. Hose

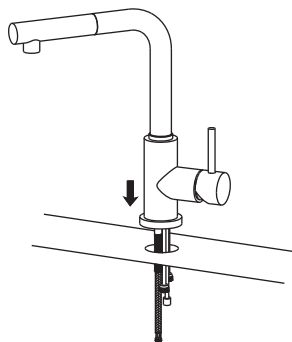
Product Dimension Drawing



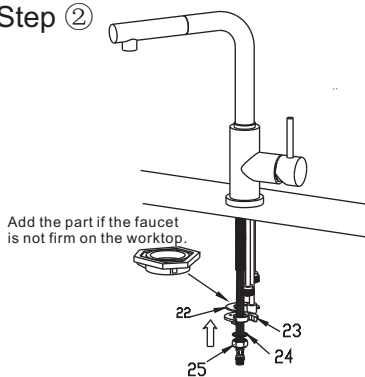
Faucet Installation Procedures



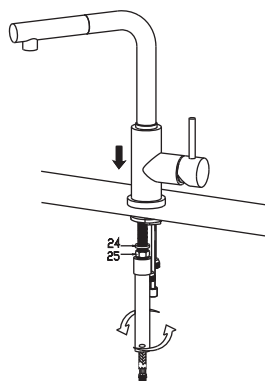
Step ①



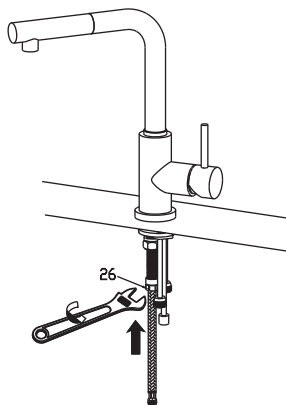
Step ②



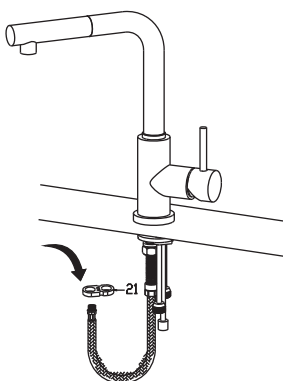
Step ③



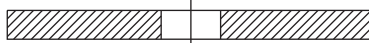
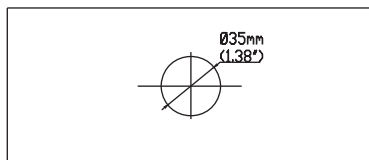
Step ④



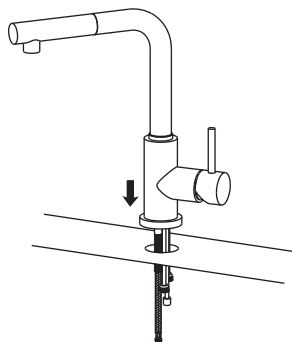
Step ⑤



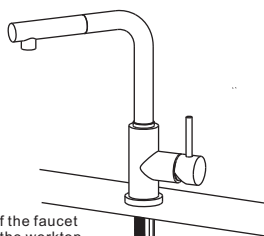
Faucet Installation Procedures



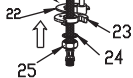
Step ①



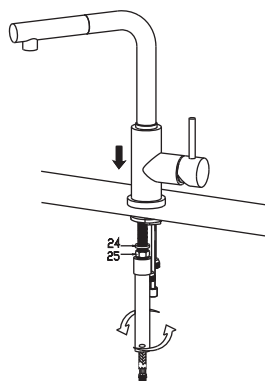
Step ②



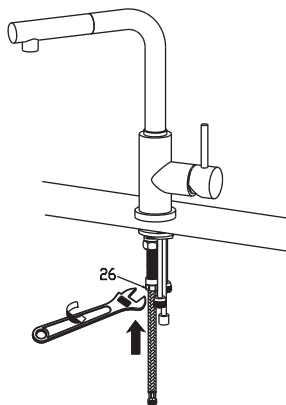
Add the part if the faucet is not firm on the worktop.



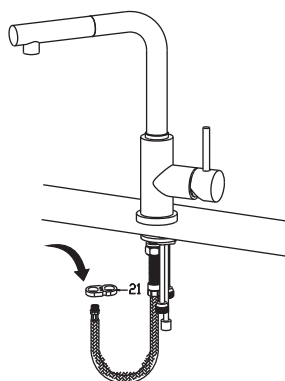
Step ③



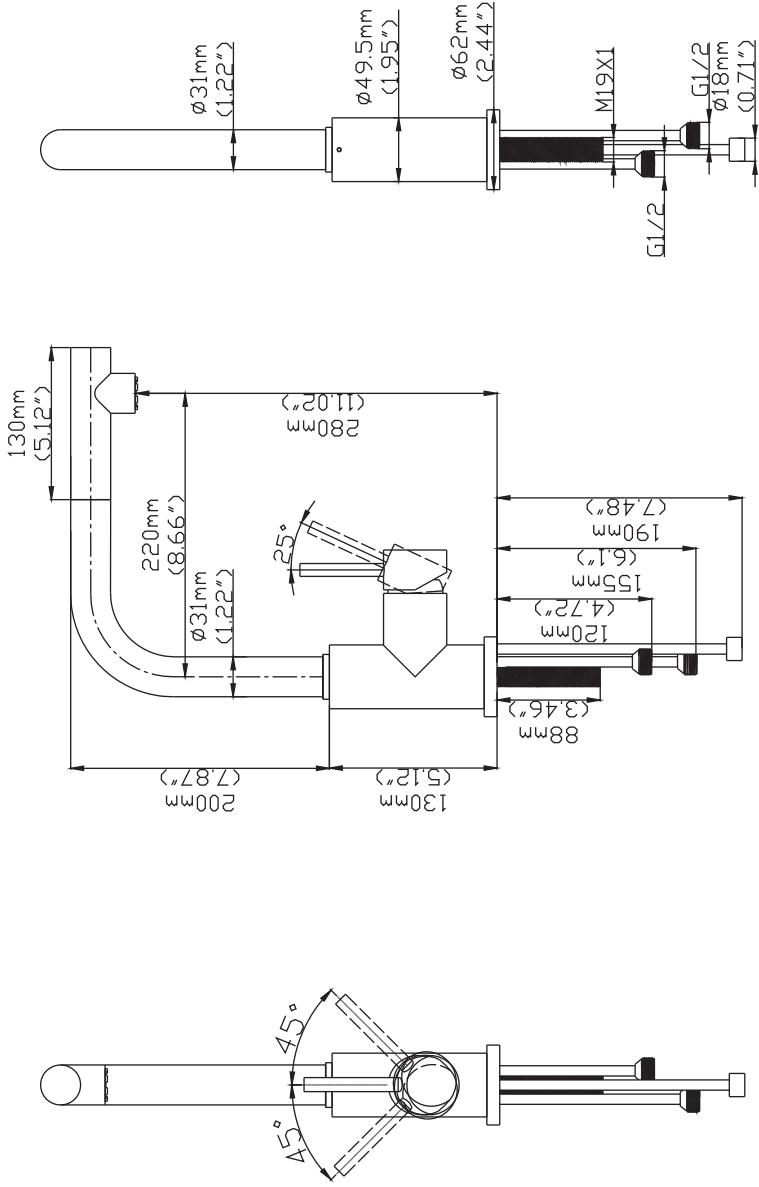
Step ④



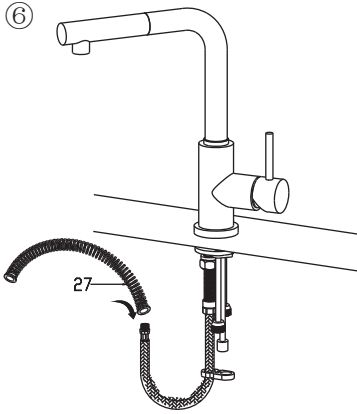
Step ⑤



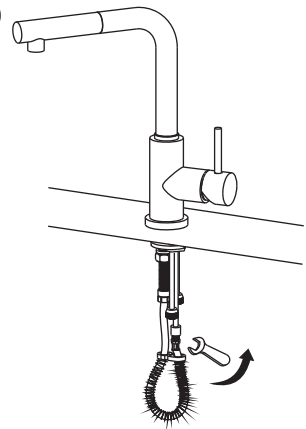
Product Dimension Drawing



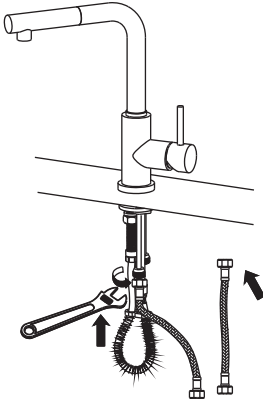
Step ⑥



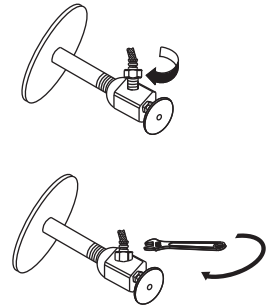
Step ⑦



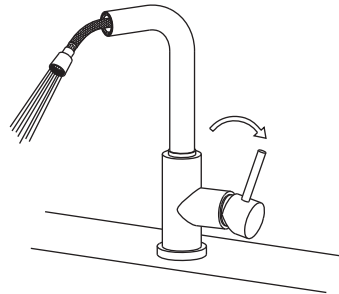
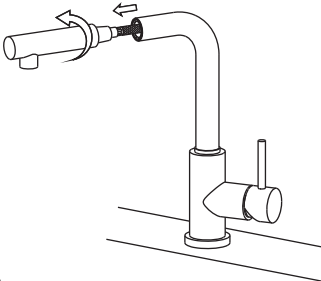
Step ⑧



Step ⑨



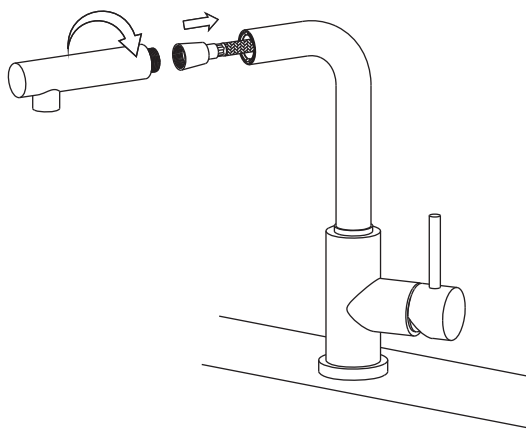
Step ⑩



Notice:

Please removing all of the sand, silt and other things from the water hose before assembling, to avoid blocking the faucet and effecting water rate. Please use the special tools to disassemble it and wash with pneumatic equipment, if the faucet blocked.

Step ⑪



Step ⑫

